

TABLE OF CONTENTS

JUNE - 1976	DATE OF LATEST ISSUE	<u>PAGE</u>
INSTRUCTION CARDS FRONT GLASSES PRICE CARDS P.C. BOARDS	JUNE 76	A
PLAYFIELD ASS'Y. TOP 264-1-5	APRIL 76	B
PLAYFIELD ASS'Y. TOP 292-1-5	JUNE 76	B1
COIN DOOR (2) ACCEPTOR	JUNE 76	C
FLIPPER ASS'Y. L.H. & R.H.	JUNE 76	D
FLIPPER ASS'Y. L.H. & R.H.	JUNE 76	D1
THUMPER BUMPER ASS'Y.	APRIL 76	E
BALL KICKER ASS'Y.	JUNE 76	F
REBOUND KICKER ASS'Y.	APRIL 76	G
CHIME ASS'Y. #2 (TYPE A)	APRIL 76	H
CHIME ASS'Y. #2 (TYPE C)	JUNE 76	H1
DROP TARGET ASS'Y. #1	APRIL 76	I
GATE ASS'Y.	JUNE 76	J
BULLS-EYE SCORE TARGET BALL PLUNGER ASS'Y.	APRIL 76	K
KNOCKER ASS'Y. FLIPPER SWITCH ASS'Y. SINGLE BULLS EYE BRACKET	APRIL 76	L

JUNE - 1976

TABLE OF CONTENTS

	DATE OF LATEST ISSUE	<u>PAGE</u>
TOP GLASS HOLD-DOWN ASS'Y. FRONT GLASS LOCK ASS'Y.	APRIL 76	M
ROLL OVER SWITCHES CREDIT SWITCH ASS'Y.	APRIL 76	N
ROLL TILT ASS'Y. LEG - CABINET SCORE GLASS EXTRUSION	APRIL 76	O
REBOUND BUMPER ASS'Y. BUMPER ASS'Y. SPRING (ALTERNATE) BALL GUIDE WEAR PLATE COVER, BALL PLUNGER	APRIL 76	P
CASH BOX & LID PLAYFIELD BUMPER #6 x 1 $\frac{1}{2}$ PH/WS POST SCREW	APRIL 76	Q
LAMPS & SOCKETS	APRIL 76	R
FUSE HOLDER COILS SLEEVES PLUNGERS FUSES	JUNE 76	S
COUNTER TRANSFORMER RELAY WITH DIODE LINE FILTER AC RECEPTACLE DIODES ON-OFF SWITCH	JUNE 76	T

JUNE 76

TABLE OF CONTENTS

DATE OF LATEST ISSUE

PAGE

GUIDE RAIL COVER
BALL GUIDE RAIL
COVER BALL-UP ASS'Y.
LOCKS
PLAYFIELD GLASS
SCORE GLASS

JUNE 76

U

BALL-UP GUIDE RAIL #1
SERVICE SUPPORT BAR
COIN CHUTE ASS'Y.

APRIL 76

V

PLAYFIELD SUPPORT BRACKET
BALL-UP HOLD-DOWN COVER BRACKETS
PLAYFIELD BRACKET (FRONT LOCK)
PLAYFIELD BRACKET (FRONT GUIDE)
PLAYFIELD SUPPORT BRACKET R & L
BALL-UP GUIDE RAIL #2

APRIL 76

W

DIODE, CAPACITOR ASS'Y.
FULL WAVE RECTIFIER
POWER SUPPLY FILTER
RECTIFIER BRIDGE
POWER OFF REF. CK'T.
CREDIT DISPLAY CIRCUIT
TARGET PULL UP SEQUENCER CR'T.
FEATURE SELECTOR CIRCUIT
FILTER CIRCUIT CREDIT SW.

APRIL 76

X

180 VOLT REGULATOR ASSEMBLY

JUNE 76

X1

REGULATOR
POWER TRANSISTOR SOCKET
FULL WAVE RECTIFIER
BRIDGE RECTIFIER
HEAT SINKS

APRIL 76

Y

RECTIFIER HEAT SINK ASS'Y.
BLOWER ASS'Y.
78H05 ASS'Y.

JUNE 76

Y1

JUNE 76

INSTRUCTION CARDS

DYNAMITE	264-6-30
T N T	288-6-2
BOOGIE	288-6-2
THUNDERBOLT	292-6-6

FRONT GLASSES

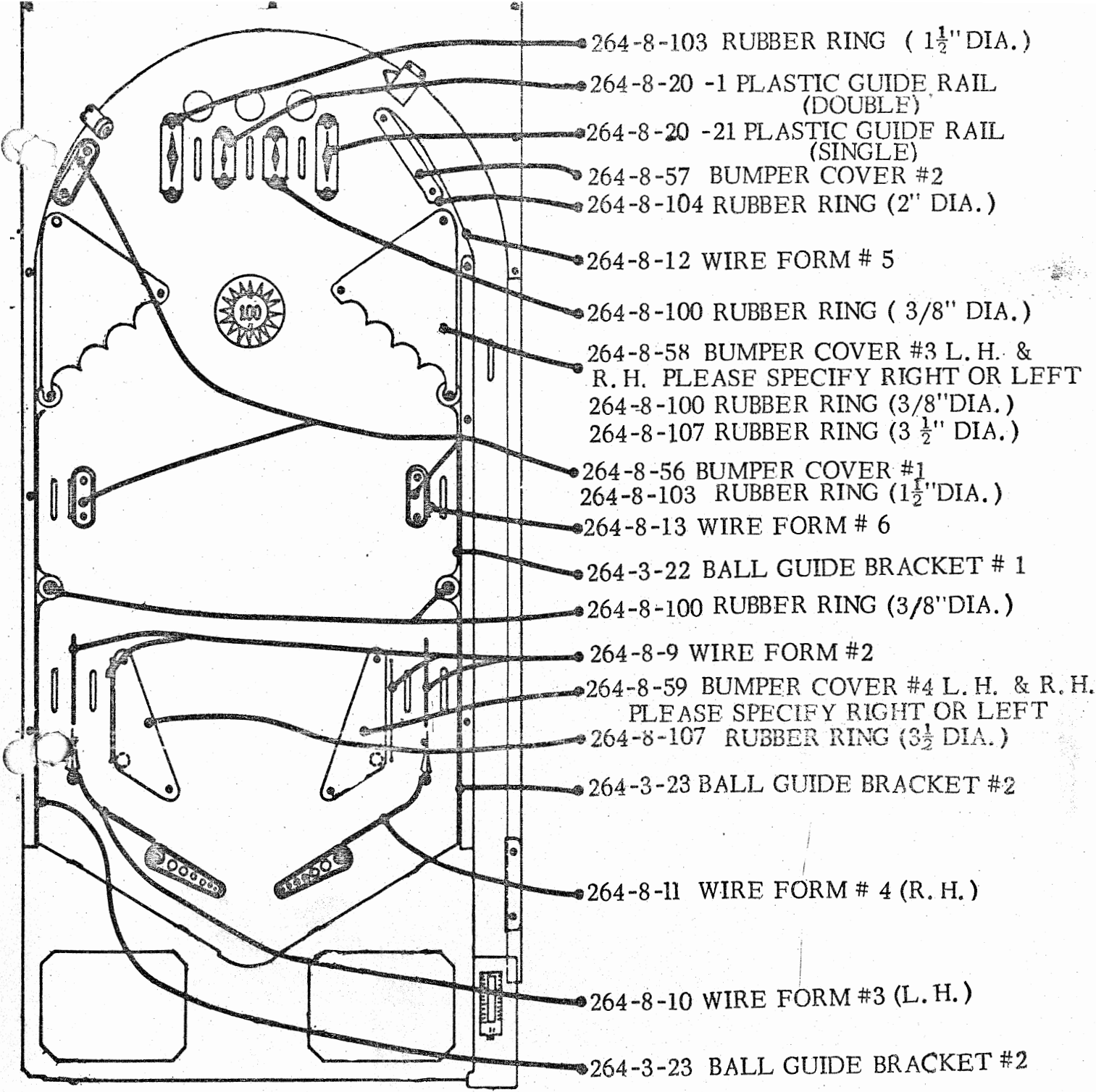
DYNAMITE	264-6-9
T N T	288-6-1
BOOGIE	288-6-1
THUNDERBOLT	292-6-1

PRICE CARDS

DYNAMITE	264-6-9
T N T	288-6-1
BOOGIE	288-6-2
THUNDERBOLT	292-6-4

P. C. BOARDS USED FOR
DYNAMITE, TNT, BOOGIE & THUNDERBOLT

RELAY DRIVER BOARD ASSY.	264-1-52
LAMP DRIVER BOARD ASSY.	264-1-53
MODE SEQUENCER BOARD ASSY.	264-1-54
CREDIT DISPLAY ASSY.	264-1-55
CREDIT BOARD ASSY.	264-1-56
LINE-EM-UP BOARD ASSY.	264-1-57
BONUS DRAIN ASSY.	264-1-59
SCORE UNIT BOARD ASSY.	264-1-60
PLAYER UP BOARD ASSY.	264-1-62
PLAYFIELD LOGIC BOARD ASSY.	264-1-63
THUNDERBOLT PLAYFIELD LOGIC BOARD	292-1-5
CHIME P. C. BOARD	264-1-189
180 V POWER SUPPLY	292-1-30



264-8-103 RUBBER RING (1 1/2" DIA.)

264-8-20 -1 PLASTIC GUIDE RAIL (DOUBLE)

264-8-20 -21 PLASTIC GUIDE RAIL (SINGLE)

264-8-57 BUMPER COVER #2

264-8-104 RUBBER RING (2" DIA.)

264-8-12 WIRE FORM # 5

264-8-100 RUBBER RING (3/8" DIA.)

264-8-58 BUMPER COVER #3 L. H. & R. H. PLEASE SPECIFY RIGHT OR LEFT

264-8-100 RUBBER RING (3/8" DIA.)

264-8-107 RUBBER RING (3 1/2" DIA.)

264-8-56 BUMPER COVER #1
264-8-103 RUBBER RING (1 1/2" DIA.)

264-8-13 WIRE FORM # 6

264-3-22 BALL GUIDE BRACKET # 1

264-8-100 RUBBER RING (3/8" DIA.)

264-8-9 WIRE FORM #2

264-8-59 BUMPER COVER #4 L. H. & R. H. PLEASE SPECIFY RIGHT OR LEFT

264-8-107 RUBBER RING (3 1/2" DIA.)

264-3-23 BALL GUIDE BRACKET #2

264-8-11 WIRE FORM # 4 (R. H.)

264-8-10 WIRE FORM #3 (L. H.)

264-3-23 BALL GUIDE BRACKET #2

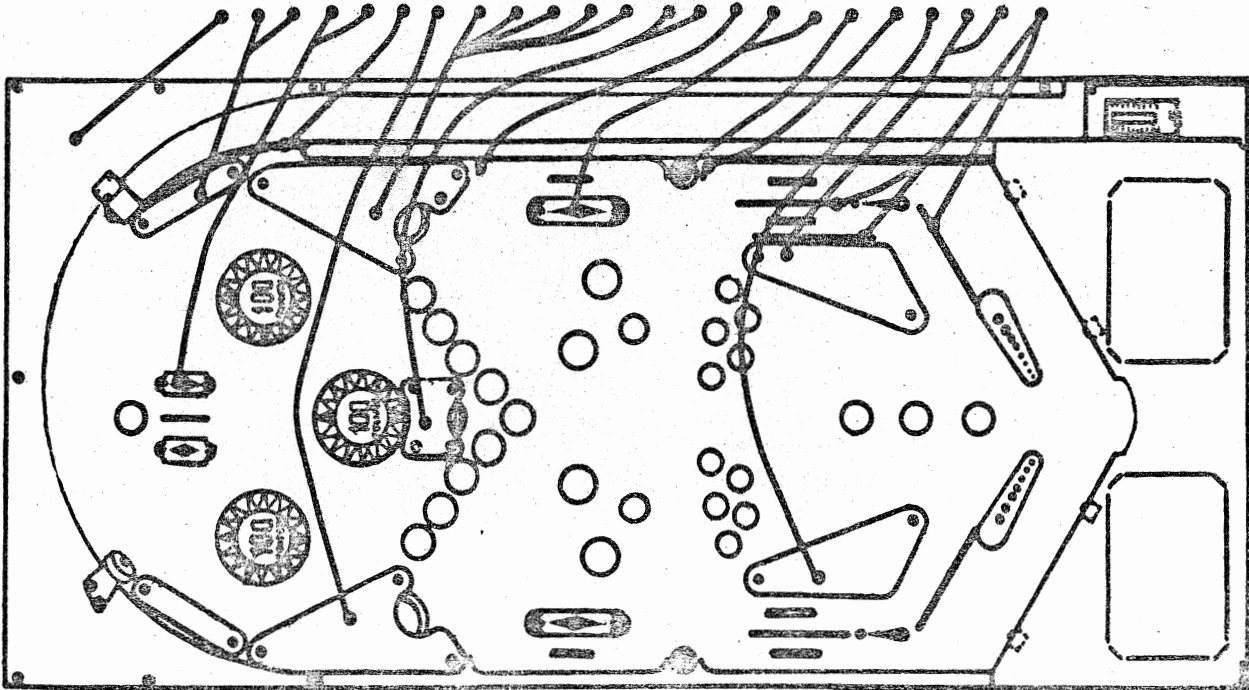
DYNAMITE - 2 PLAYER
TNT 4 PLAYER
BOOGIE 4 PLAYER

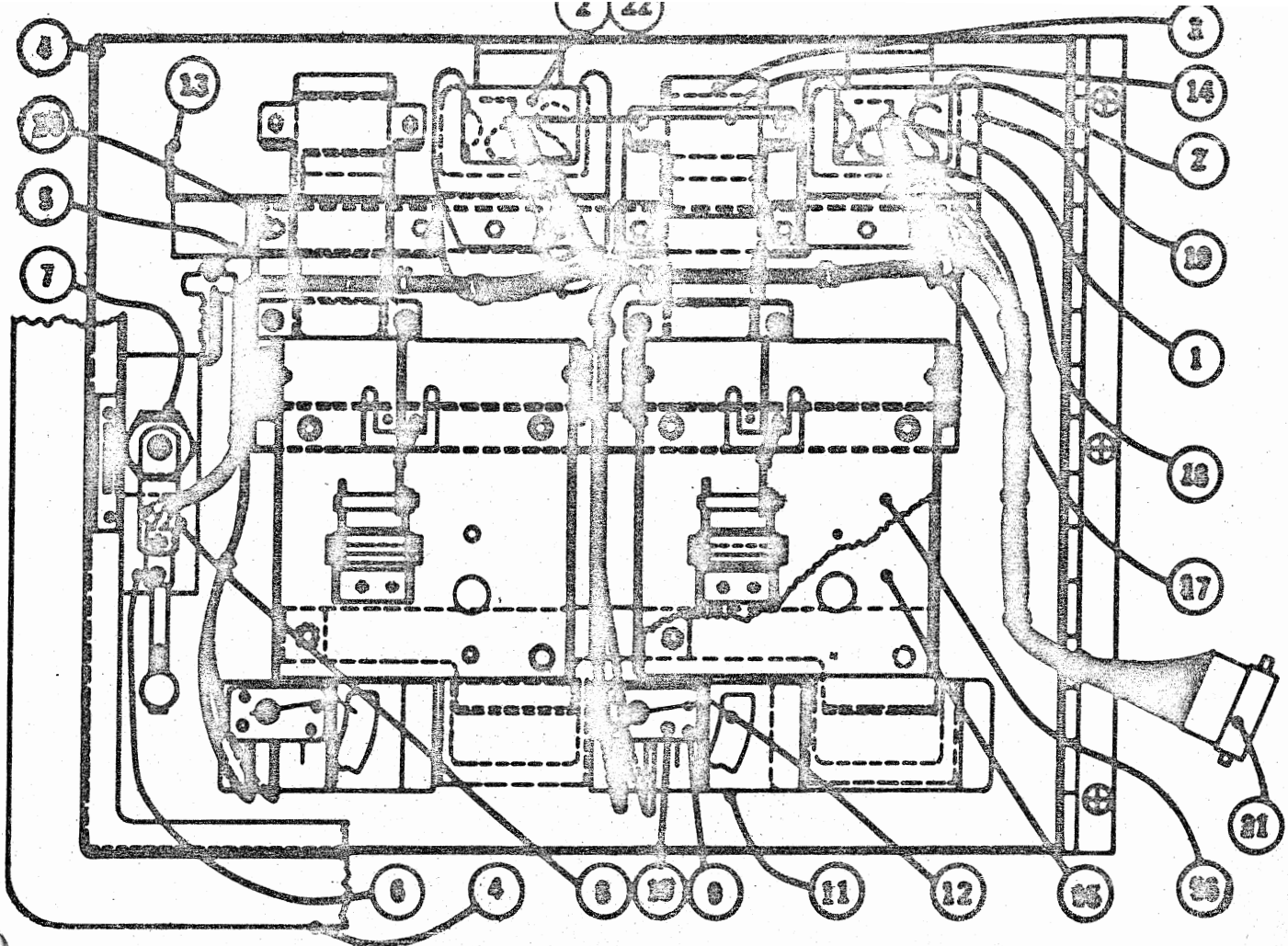
PLAYFIELD ASS'Y. TOP 264-1-5

THUNDERBOLT

PLAYFIELD ASS'Y. TOP 292-1-5

- 264-3-73 BALL GUIDE RAIL
- 292-10-3 COVER DIE CUT
- 264-8-31 RUBBER RING (2 1/2" DIA.)
- 264-8-30 RUBBER RING (1 1/4" DIA.)
- 264-8-20-5 PLASTIC GUIDE RAIL (1 1/2 SINGLE FL.)
- 292-8-2 WIRE FORM #7
- 292-10-8 COVER DIE CUT
- 264-8-32 RUBBER RING (3" DIA.)
- 292-10-7 COVER DIE CUT
- 292-10-6 COVER DIE CUT
- 235-8-57 STANDOFF
- 264-8-100 RUBBER RING (3/8" DIA.)
- 264-8-30 RUBBER RING (1 1/4" DIA.)
- 292-10-9 COVER DIE CUT
- 264-3-22 BALL GUIDE BRACKET #1
- 264-8-30 RUBBER RING (1 1/4" DIA.)
- 264-8-20-21 PLASTIC GUIDE RAIL (2 1/2 SINGLE FL.)
- 264-8-100 RUBBER RING (3/8" DIA.)
- 264-3-23 BALL GUIDE BRACKET #2
- 292-10-4 COVER DIE CUT
- 292-10-5 COVER DIE CUT
- 264-8-107 RUBBER RING (3 1/2" DIA.)
- 264-8-9 WIRE FORM #2

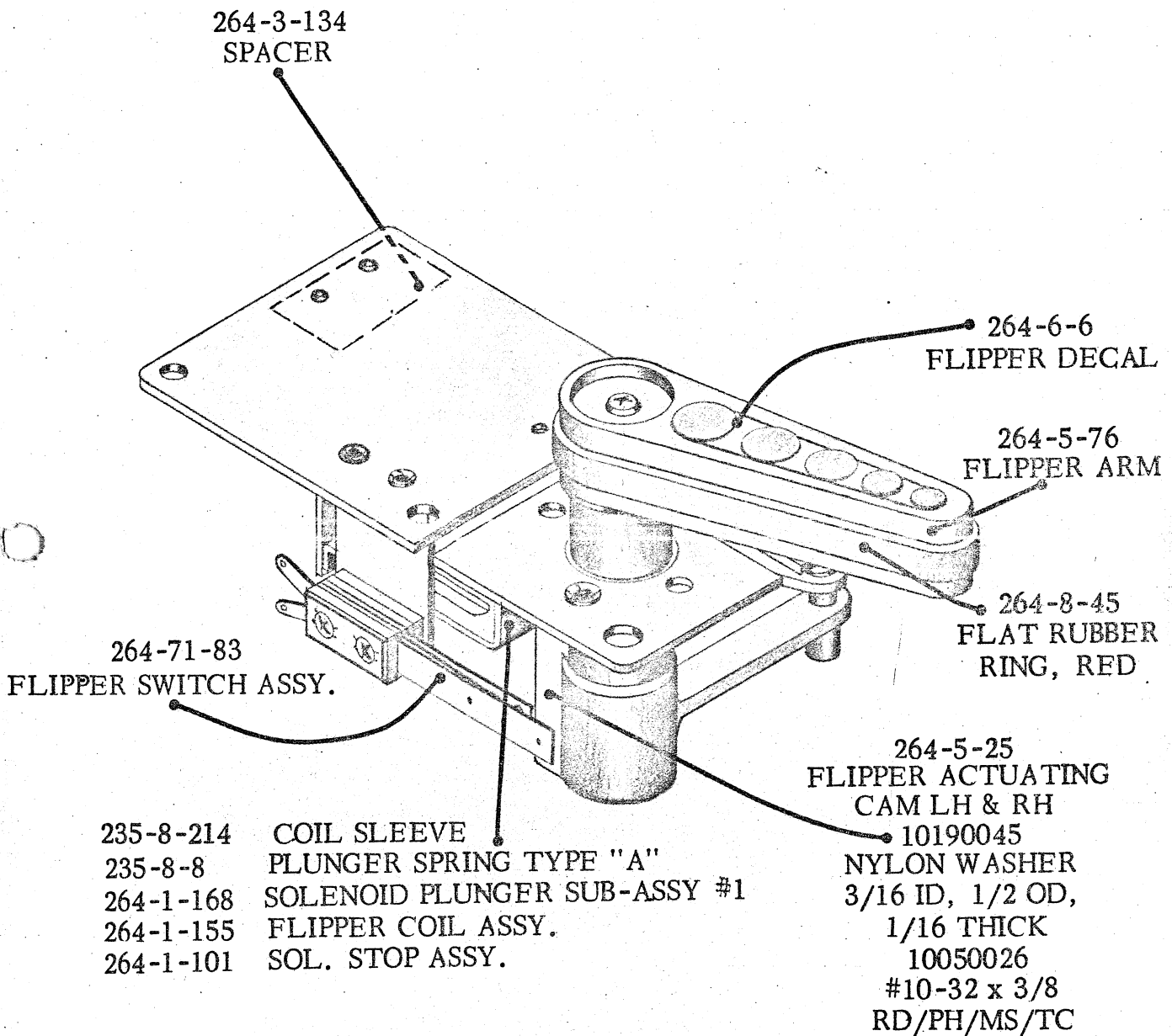




264-1-88 COIN DOOR (2) ACCEPTOR ASS'Y.

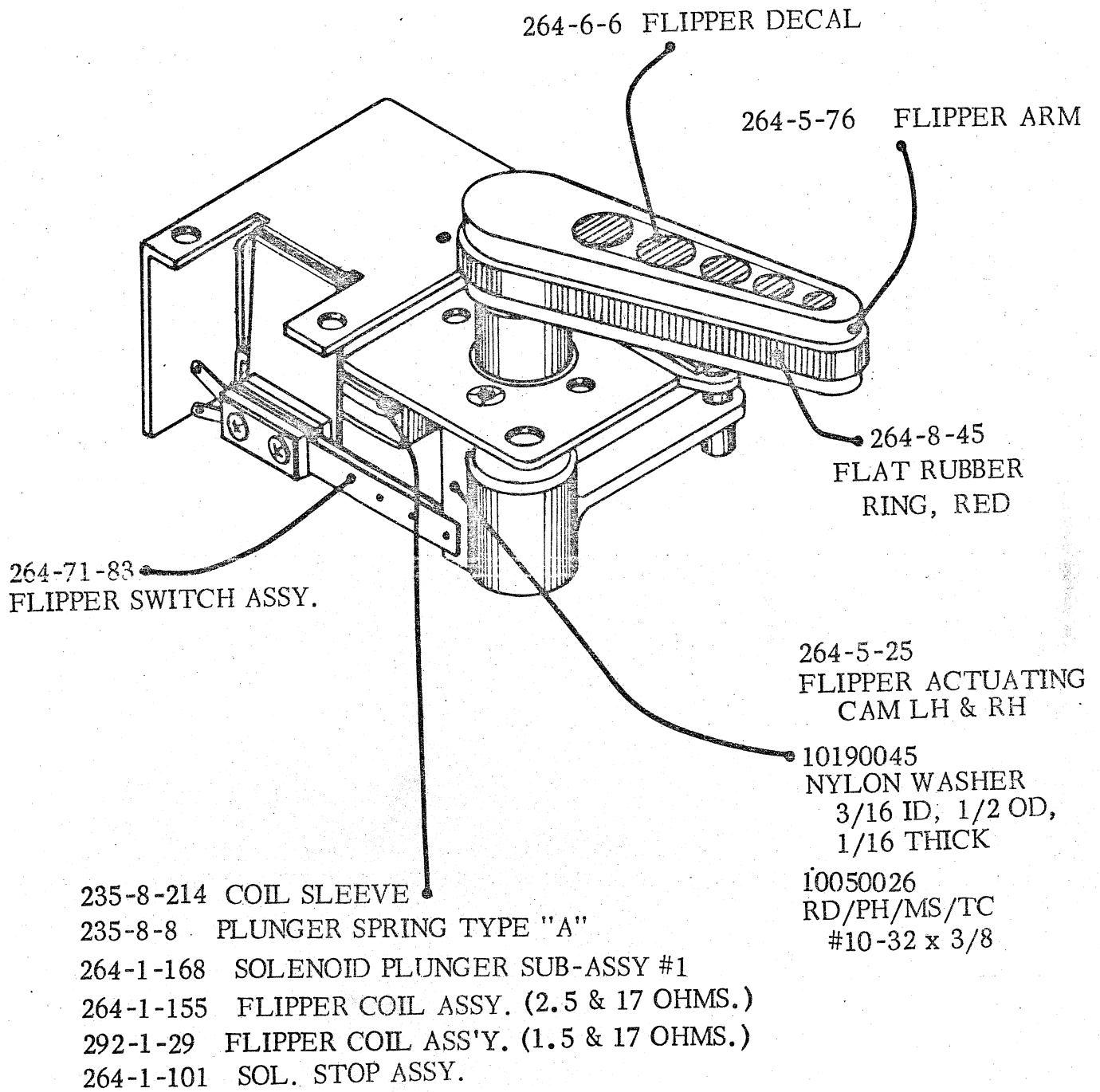
ITEM	PART NO.	DESCRIPTION	QTY.
1	50180004	DISPLAY LAMP #44	2
2	235-6-21	COIN PRICE PL. 25¢	2
3	235-1-505	COIN CHUTE ASS'Y.	2
4	264-1-94	COIN DOOR #2 COMPLETE W/ASS'Y.	1
5	235-8-30	SPRING CLIP KEY	1
6	264-1-93	SLAM SWITCH BRK'T ASS'Y.	1
7	235-8-45	2 KEY LOCK	1
8	264-3-152	LOCK TONGUE	1
9	10010027	#4-40 x 3/4 PA/PH/MS	4
10	50130003	COIN MICRO SWITCH	2
11	235-3-37	SWITCH MOUNT PLATE	2
12	235-8-29	COIN SWITCH WIRE	2
13	264-3-135	BRK'T. INTERLOCK TOP GLASS HOLD DOWN	1
14	235-3-528	LATCH LOCK - CASH DOOR	1
15	235-8-516	COIN ACCEPTOR AMERICAN 25¢	2
16	235-1-543	COIN ACCEPTOR BRK'T W/COIN REJECTOR	2
17	50270017	1/4" NYLON WIRE CLAMP	2
18	50190004	LAMP SOCKET	2
19	235-3-509	COIN PRICE BRACKET	2
20	10020004	8-32 x 1/4 WHIZ LOCK SCREW	14
21	264-1-115	COIN DOOR HARNESS	1
22	235-6-22	COIN PRICE PLATE 2/25¢ (EXTRA)	2

JUNE 76

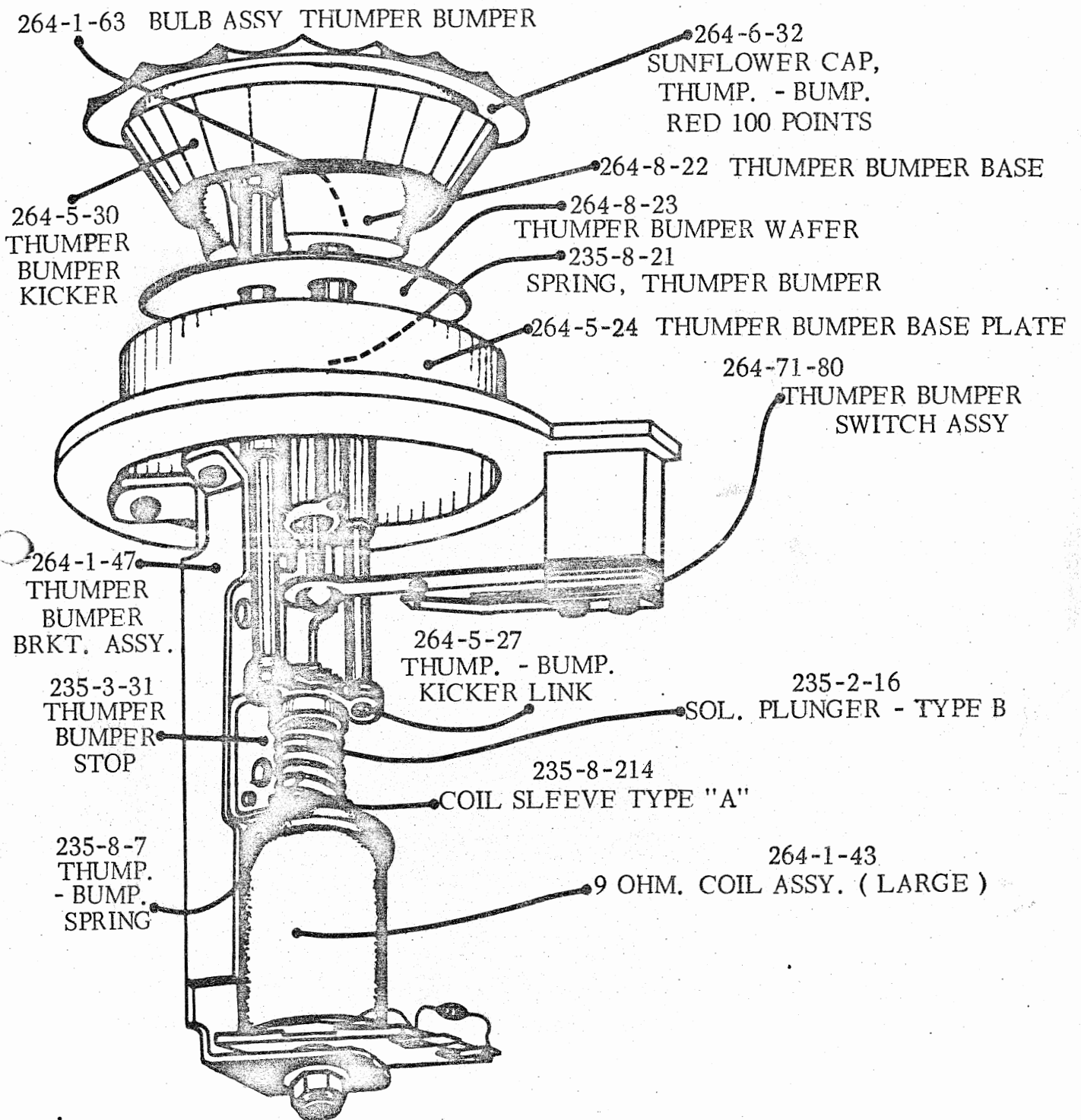


2.5 & 17 OHMS.

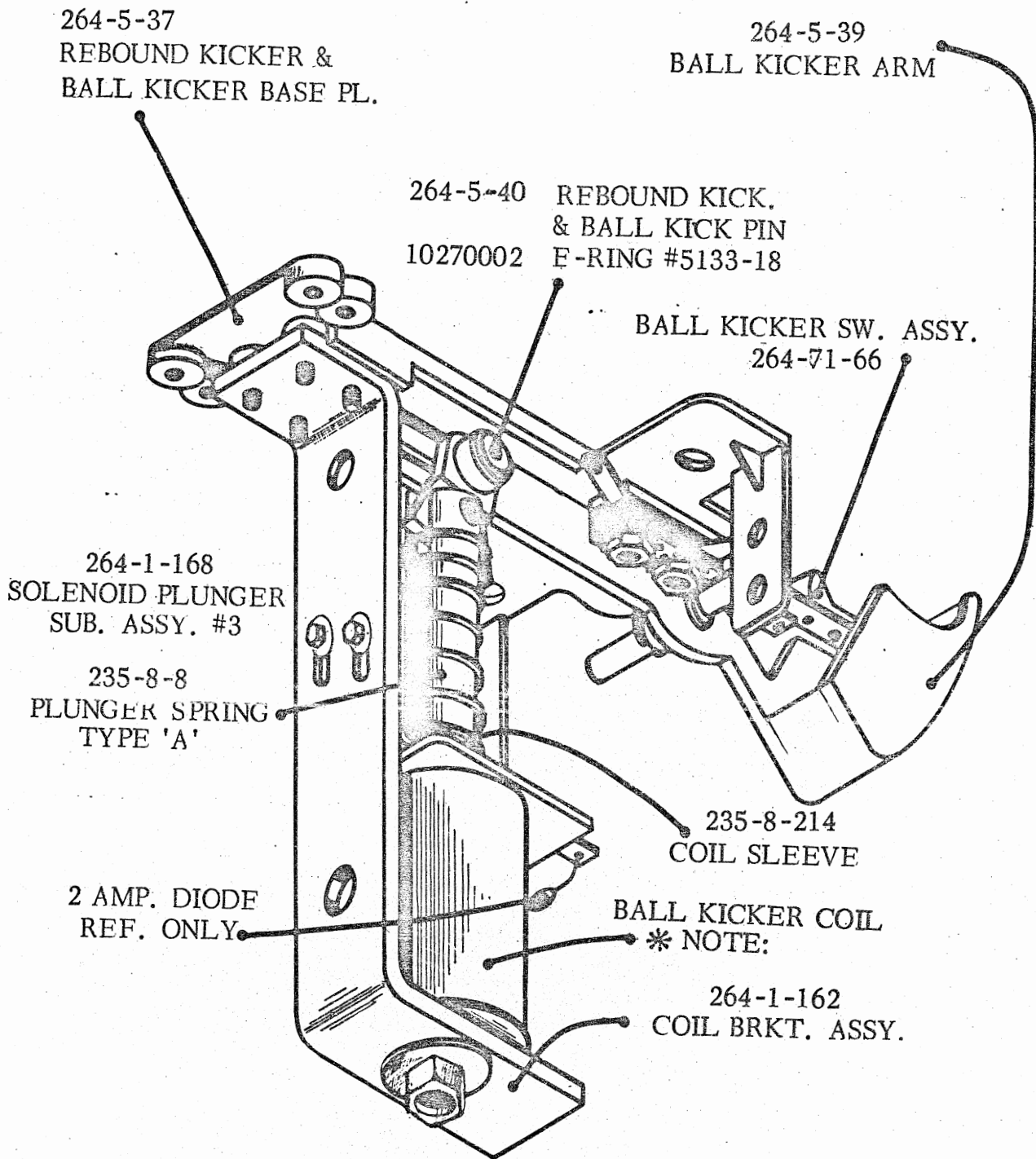
FLIPPER ASS'Y. LH & RH 264-1-7 STYLE A



FLIPPER ASS'Y. LH & RH 264-1-7 STYLE B (2.5 & 17Ω)
 292-1-38 STYLE C (1.5 & 17Ω)



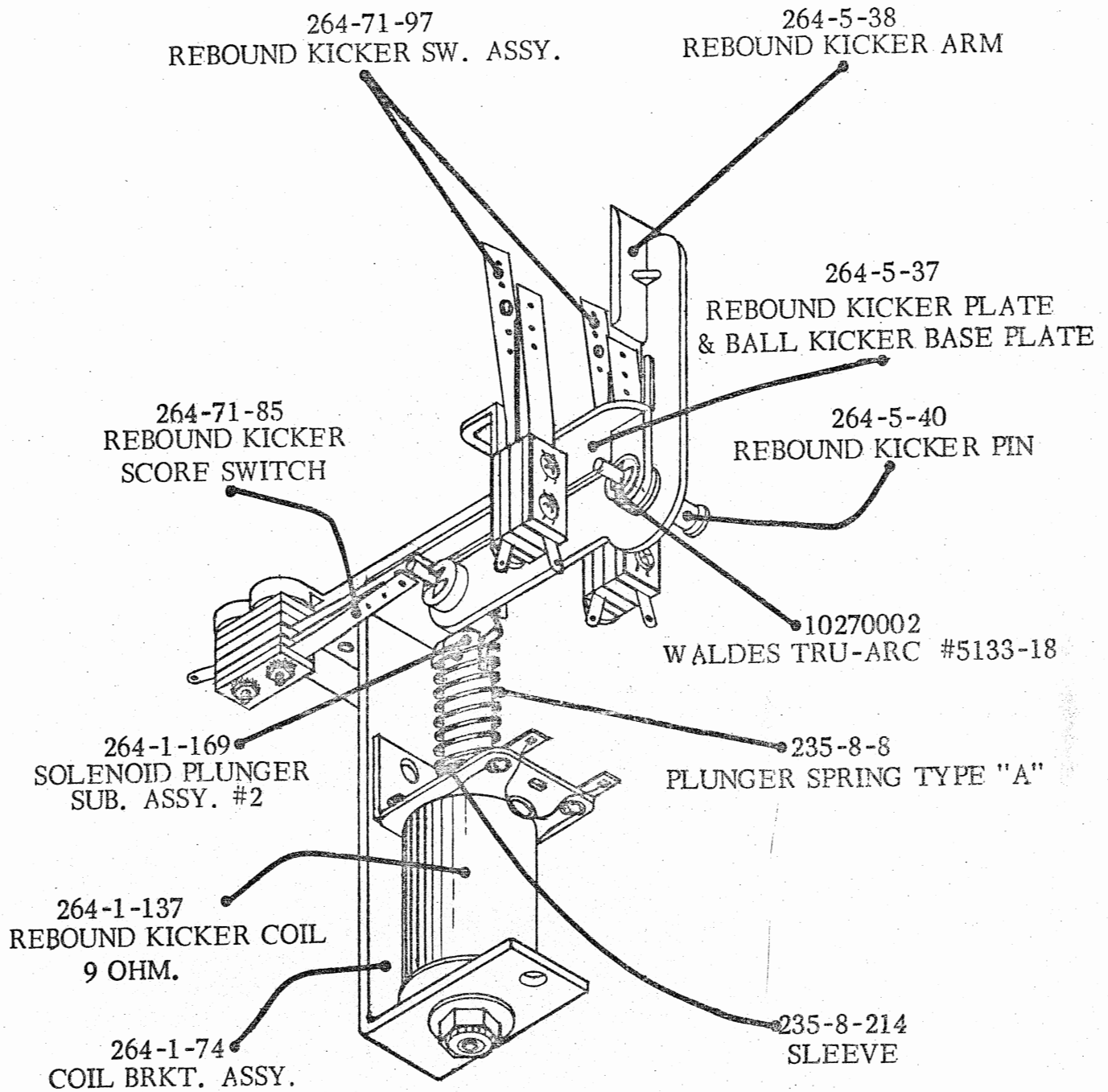
THUMPER - BUMPER ASS'Y. 264-1-9



* NOTE:
BALL KICKER COIL COULD HAVE
11Ω or 15Ω COIL.

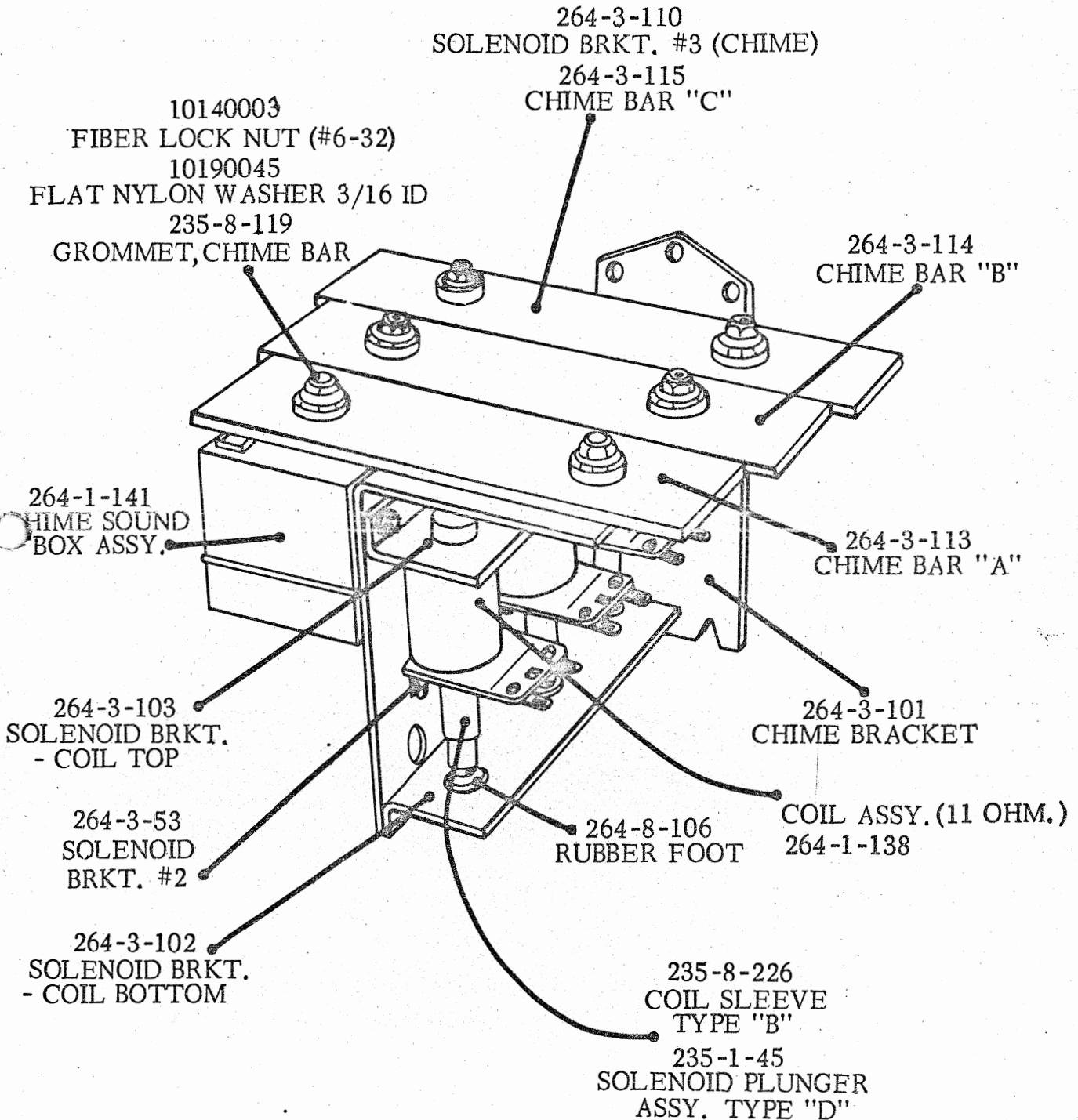
(PLEASE SPECIFY)
264-1-102 (11 ohm.)
292-1-13 (15 ohm.)

BALL KICKER ASS'Y. 264-1-11 (11 OHM.)
292-1-11 (15 OHM.)



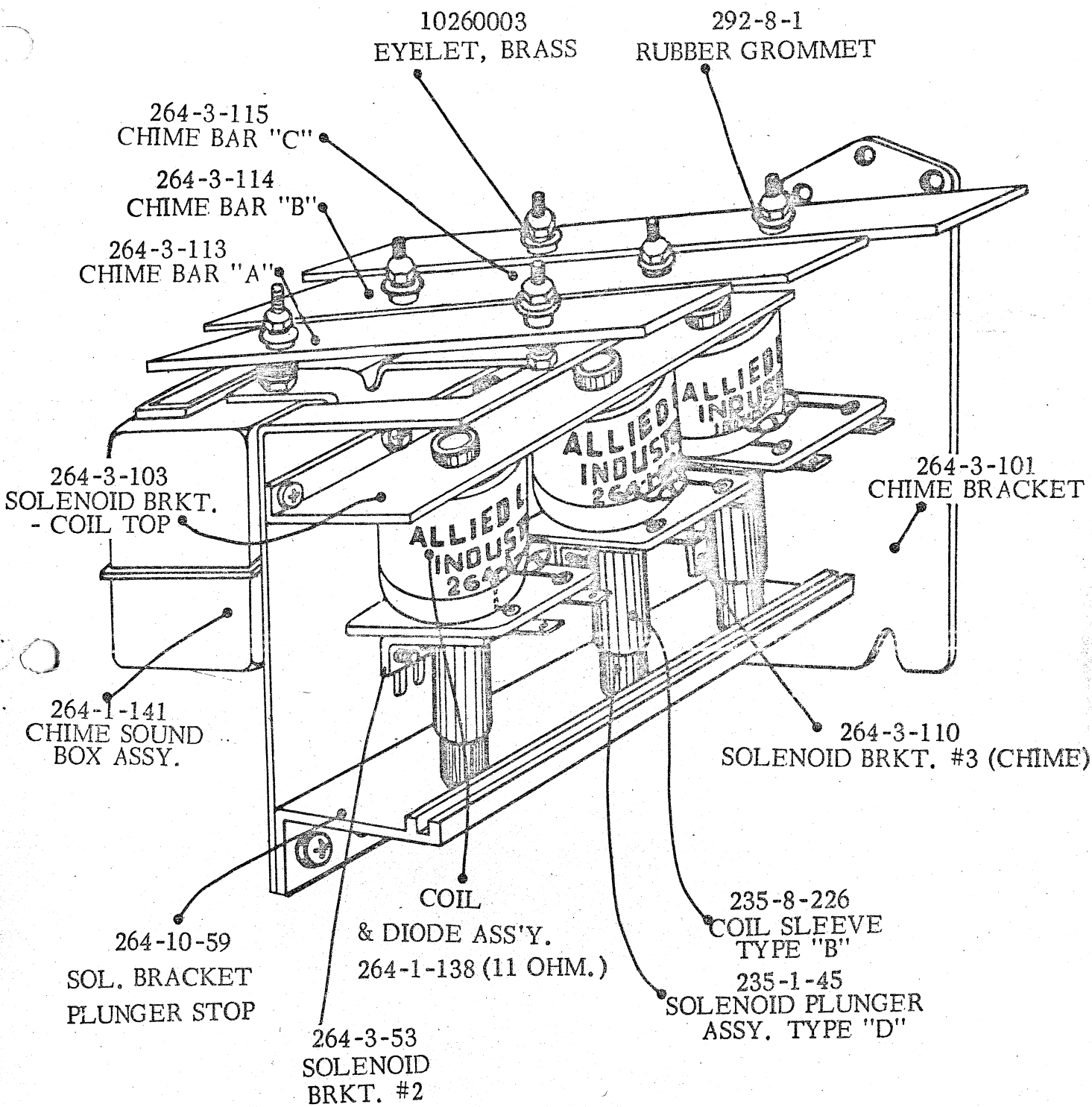
REBOUND KICKER ASS'Y. 264-1-10
 292-1-41
 HAS SCORE SWITCH
 264-71-85, ELIMINATED

APRIL 76



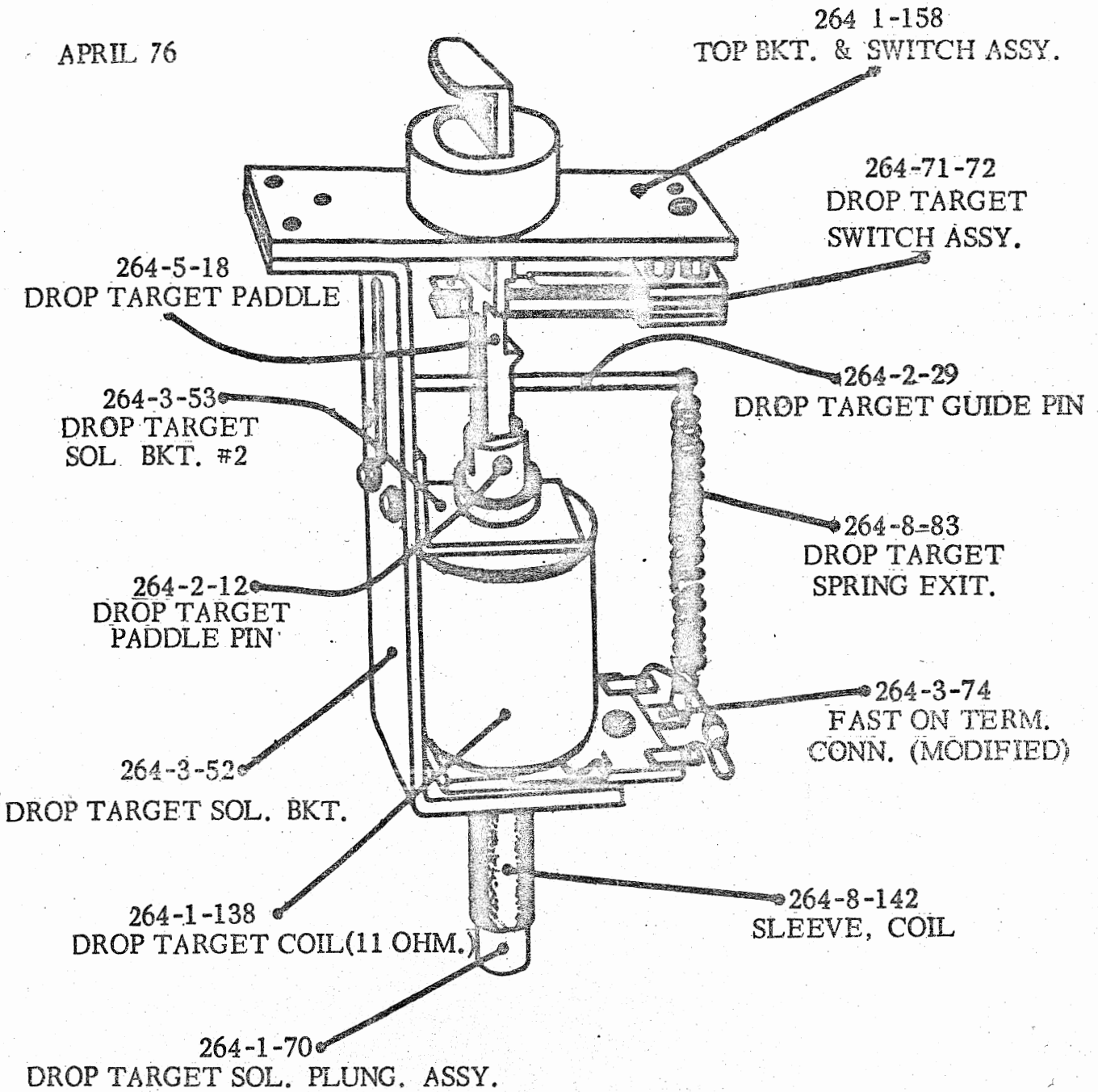
CHIME ASSY. #2 264-1-98

(TYPE "A")



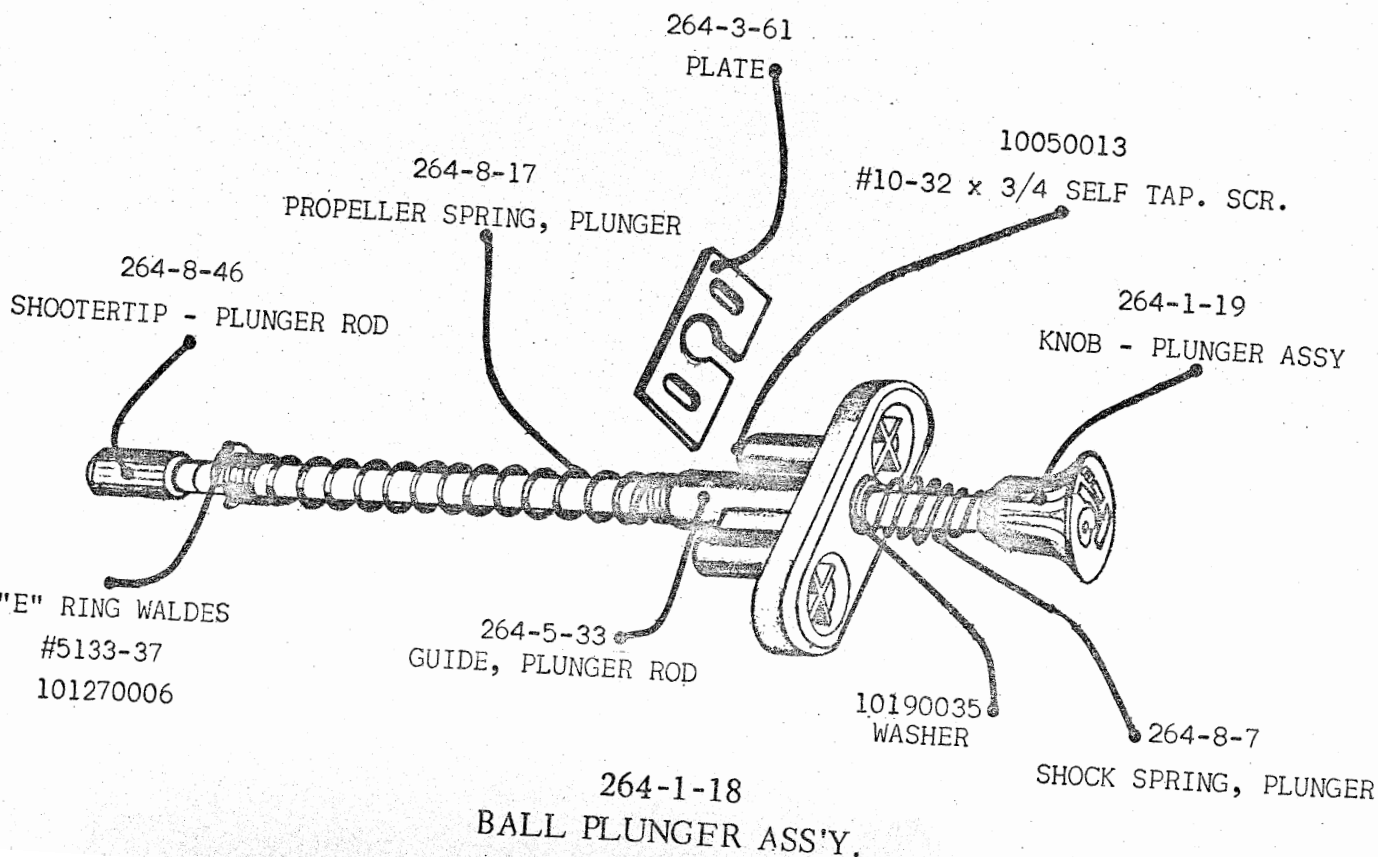
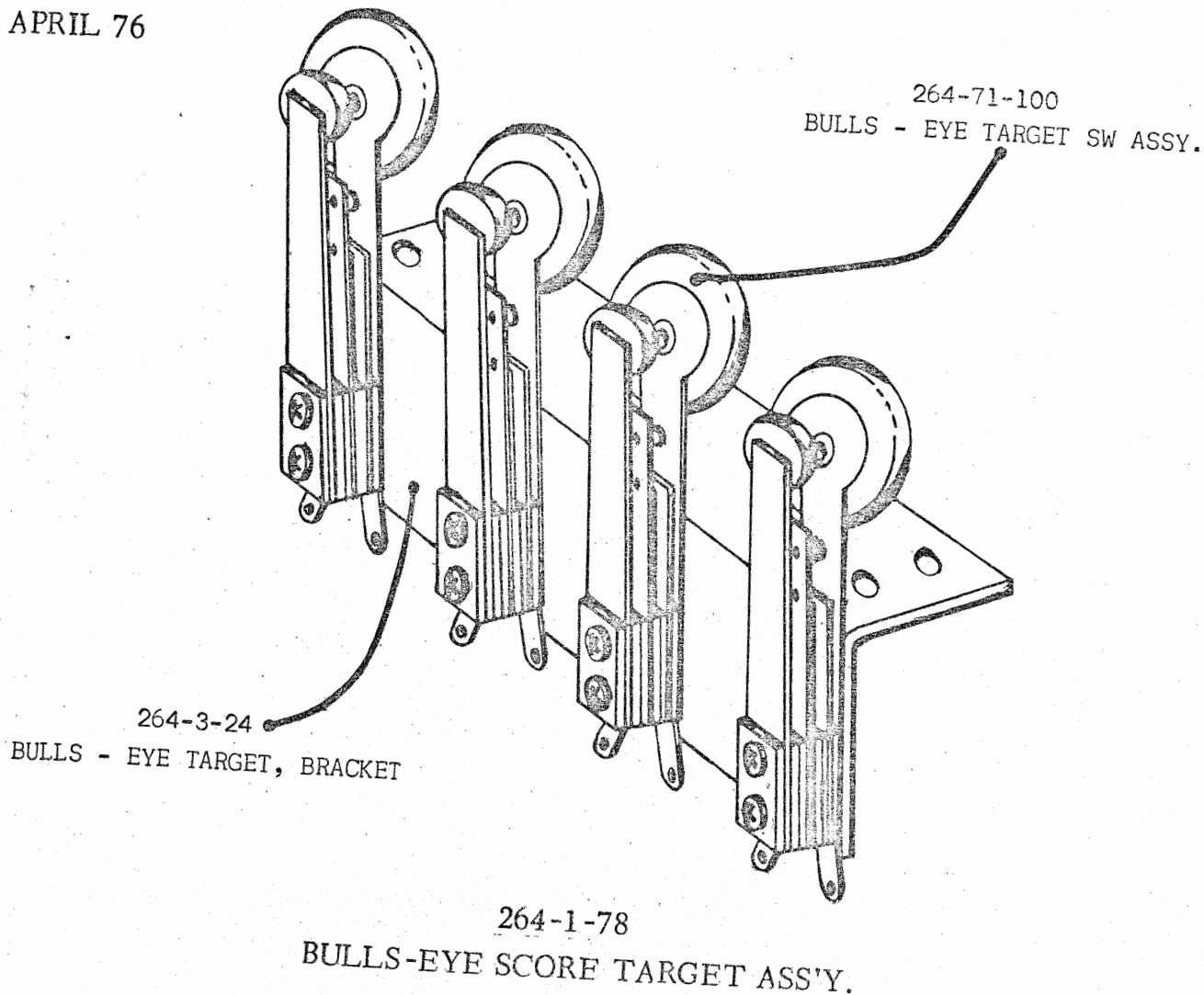
264-1-98 CHIME ASSY. #2

APRIL 76



DROP TARGET ASS'Y. #1 264-1-36

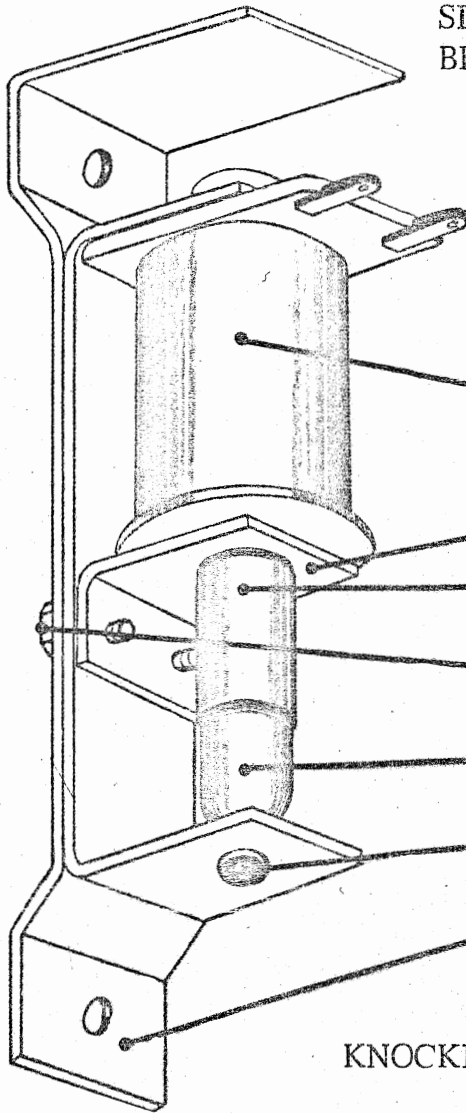
APRIL 76



TARGET SWITCH BLADE ASS'Y.
(SPECIFY COLORS) 292-71-1

SINGLE BULLS EYE
BRACKET 292-3-1

SINGLE BULLS EYE
TARGET ASS'Y 292-1-10



COIL AND DIODE ASS'Y 264-1-137

SOLENOID BRKT #2 264-3-53

COIL SLEEVE - TYPE B 2.705 LG. 235-8-226

#6 - 32 x 3/8 WHIZ LOCK M.S. 10020002

SOL. PLUNGER ASS'Y - TYPE D 235-1-45

RUBBER PAD 235-8-68

KNOCKER BRKT - WELDMNT 235-1-91

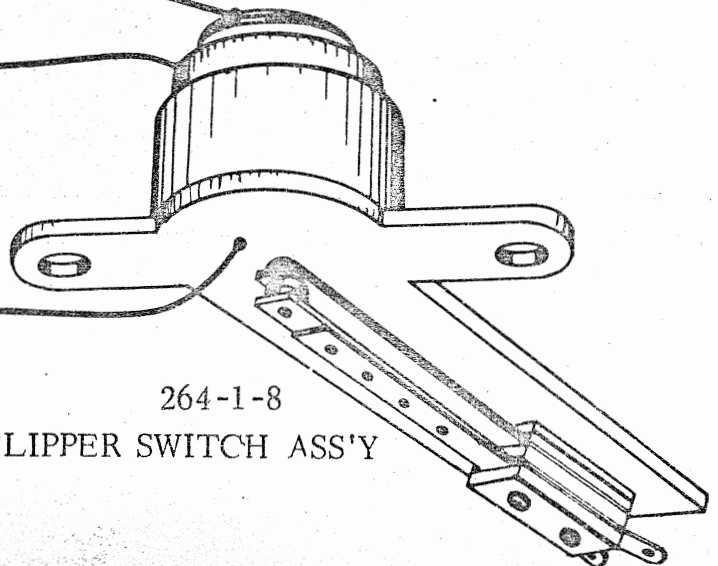
KNOCKER ASS'Y. 264-1-86

RED PLASTIC BUTTON FLR. 264-5-36

BUTTON COVER, FLIPPER SW. 264-5-35

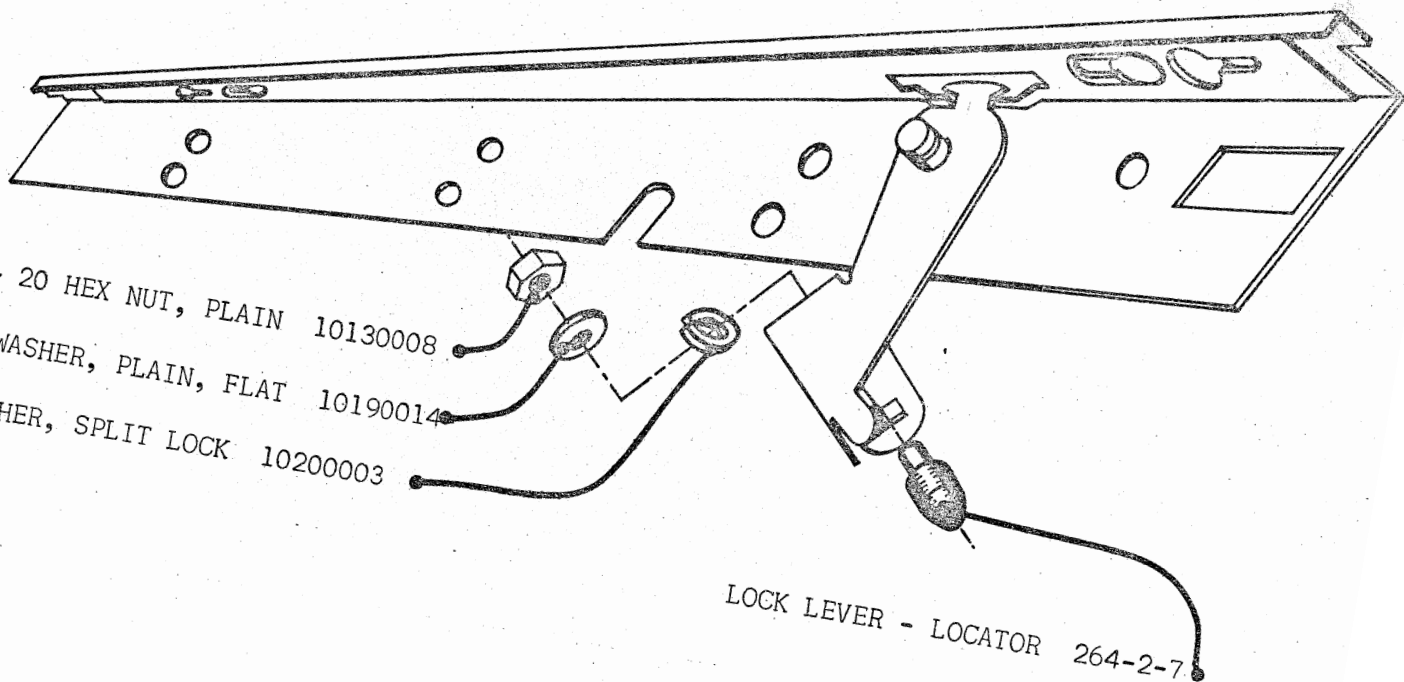
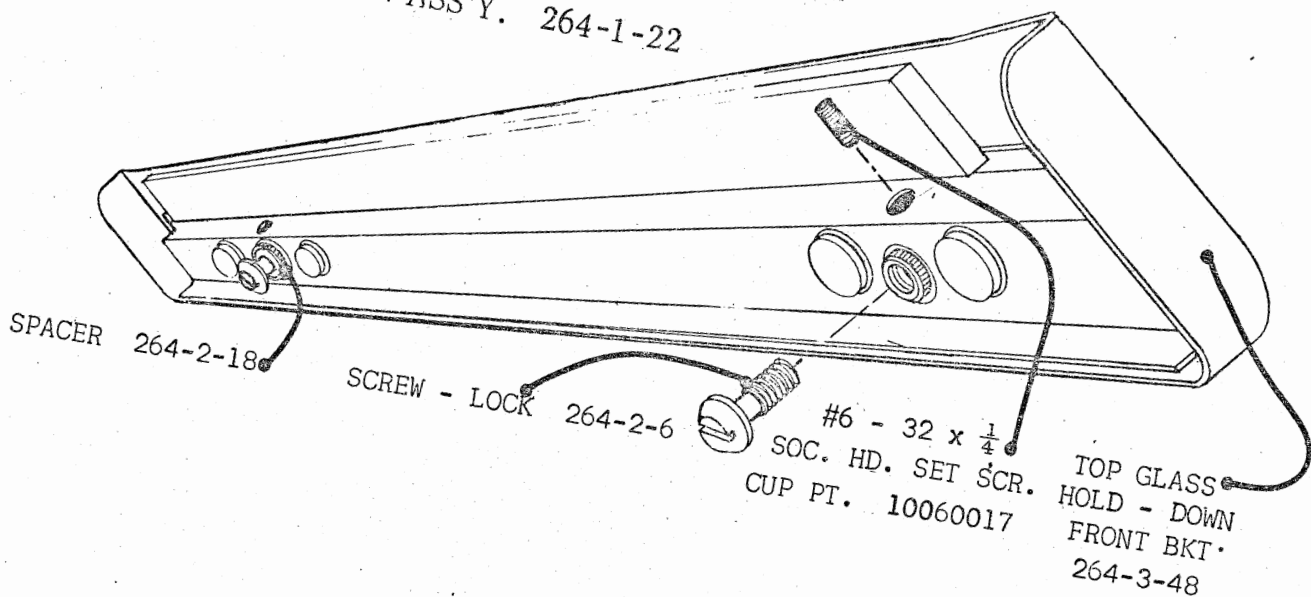
BKT. SW. ASSY. (FLIPPER) 264-1-160

264-1-8
FLIPPER SWITCH ASS'Y



APRIL - 1976

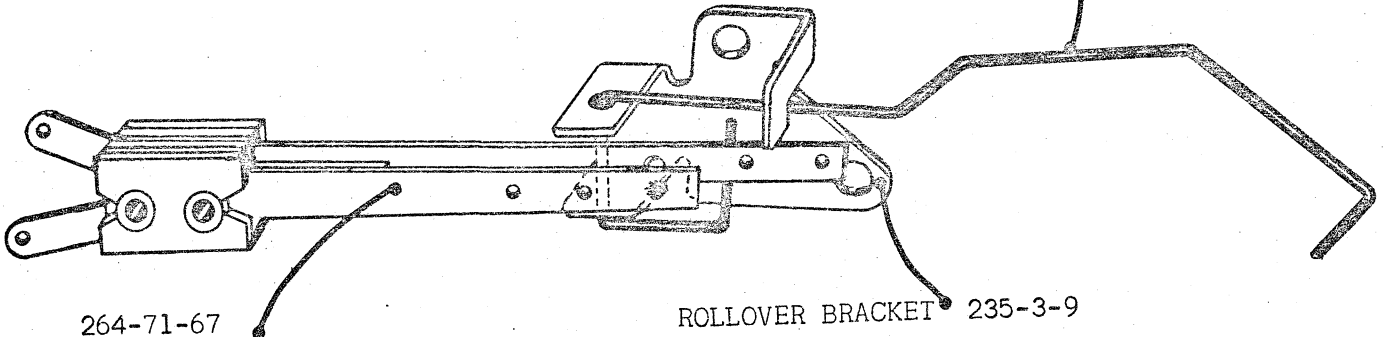
TOP GLASS HOLD-DOWN ASS'Y. 264-1-22



FRONT GLASS LOCK ASS'Y. 264-1-23

264-71-67
ROLL OVER SWITCH

SPRING ROLL OVER BKT 235-8-3



235-5-6
ROLL OVER BUTTON

264-5-3
BUTTON ROLL OVER BASE PLATE

10270012
CIRCULAR PUSH - ON RING

264-71-70
BUTTON ROLL - OVER SW. ASSY.

264-1-12
ROLL OVER SWITCH ASS'Y.

235-8-50
PUSH ON RETAINER

235-5-7
PUSH BUTTON

235-5-35
PUSHBUTTON JACKET

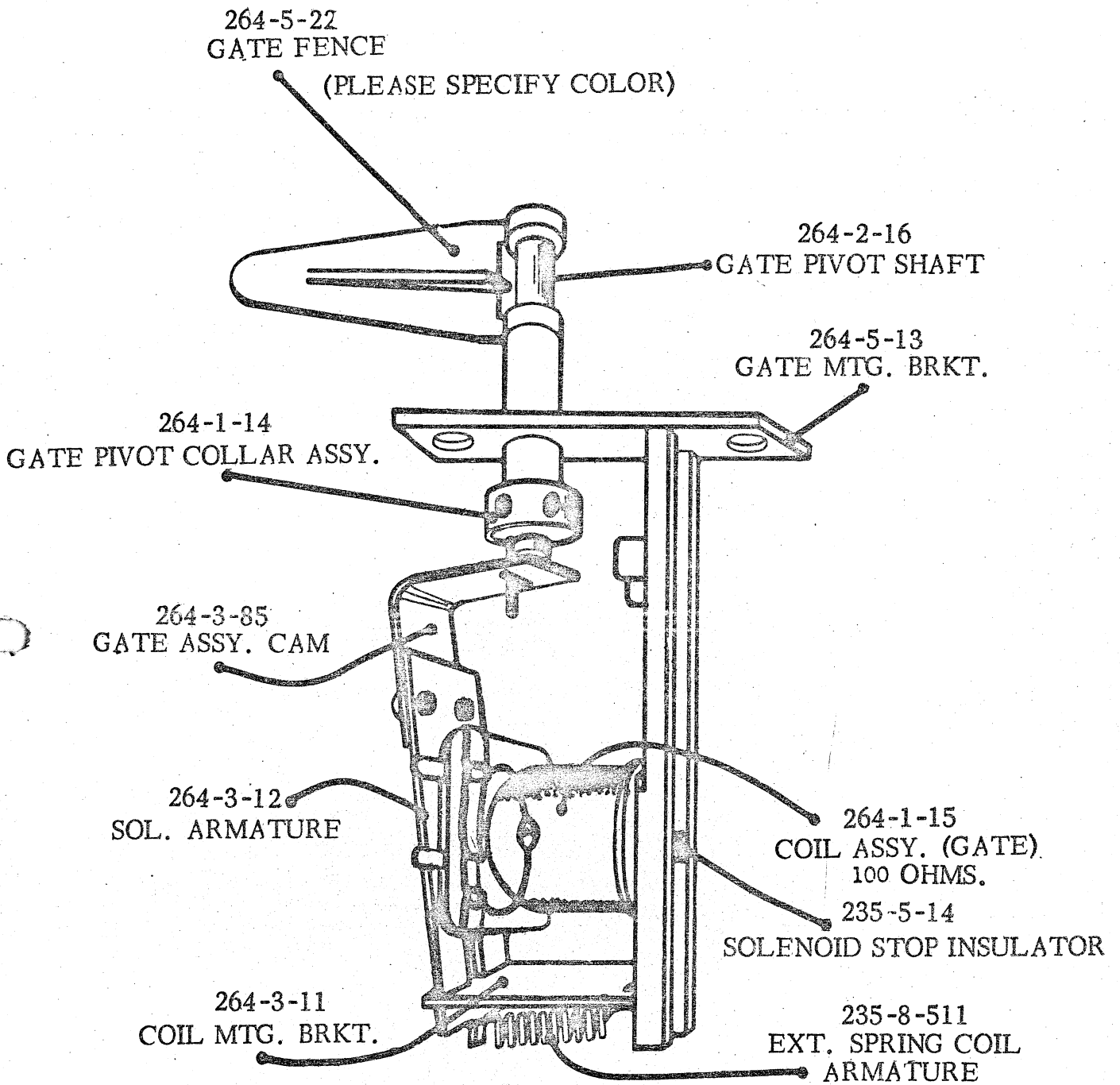
264-3-116
BRACKET SWITCH

10270005
RETAINING "E" RING.

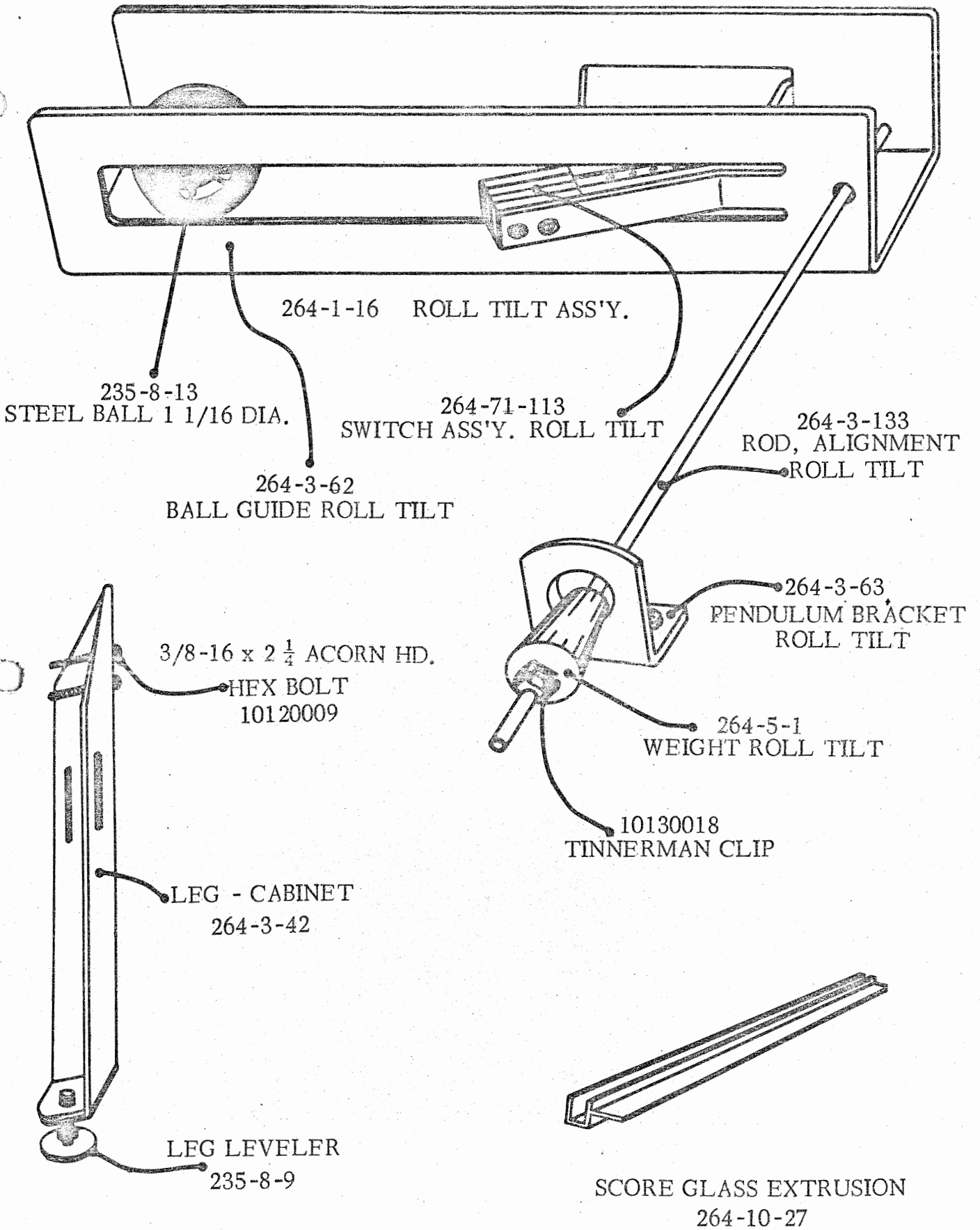
264-71-79
CREDIT SWITCH

10010089
#5 - 40 x 1 PA/PH/ MS

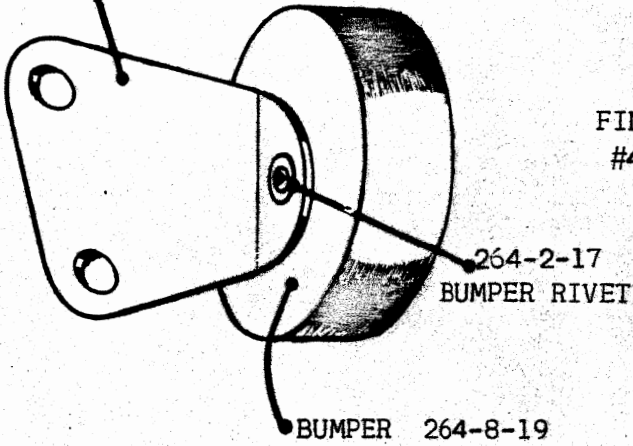
264-1-89
CREDIT SWITCH
ASS'Y.



GATE ASS'Y. 264-1-13



BRACKET 264-3-88



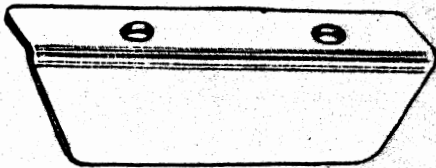
264-3-51 BRACKET - BUMPER

FINISHING NAIL
#4 x 1 1/2" LG.

264-3-131
SPRING - BUMPER

BUMPER ASSY. (GATE). 264-1-6

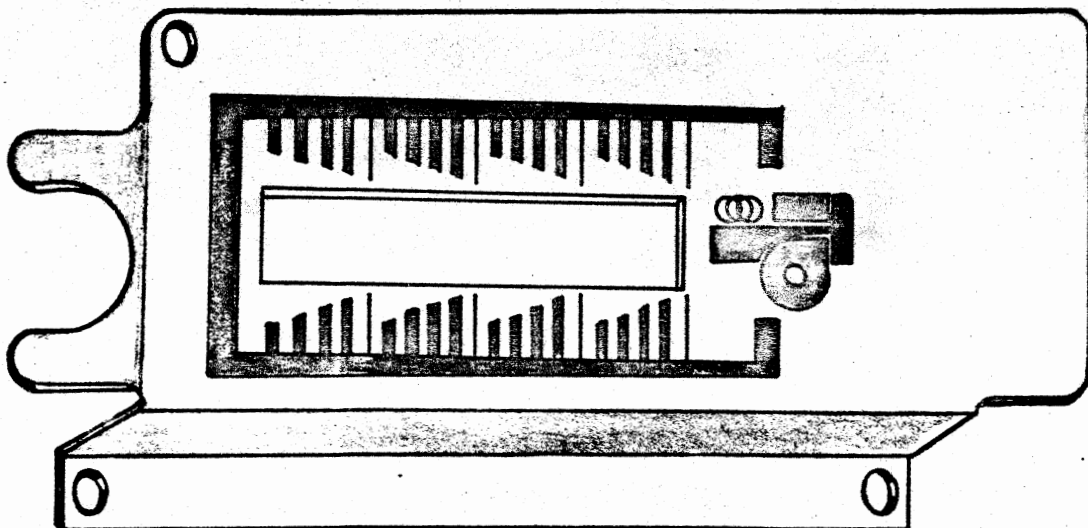
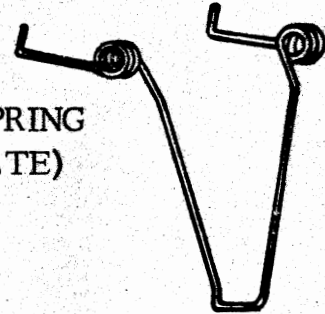
REBOUND BUMPER ASSY 264-1-17



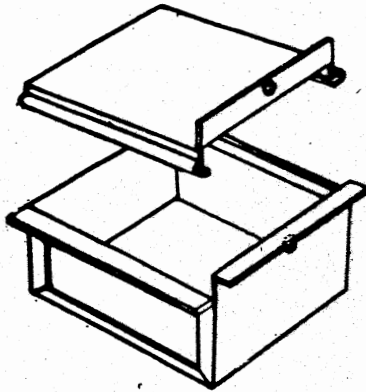
264-3-25

BALL GUIDE WEAR PLATE, PLAYFIELD

264-8-38 SPRING
(ALTERNATE)



COVER , BALL PLUNGER 264-3-37



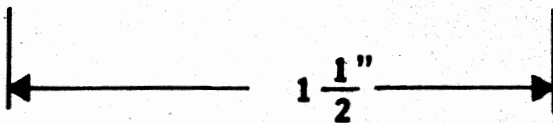
LID -
264-3-129

BOX -
264-1-91

CASH BOX & LID



264-5-26
PLAYFIELD BUMPER



#6 x 1 1/2 PH/WS 10070005

NICKEL PLATED.
#6 - 32 CAP NUT
10140010



NICKEL PLATED
FLAT WASHER
10190043

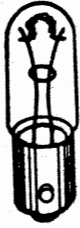


POST SCREW
10070020



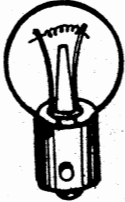
NICKEL PLATED.
NAIL PIN
10240009

(USED AS GATES STOP)



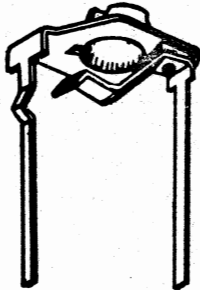
50180001
50180004
50180005

LAMP #1847
LAMP #44
LAMP #47



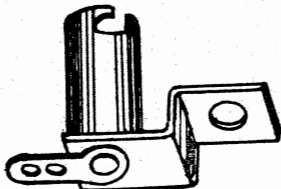
50180002
50180003

LAMP #55
LAMP #455 (FLASHING)



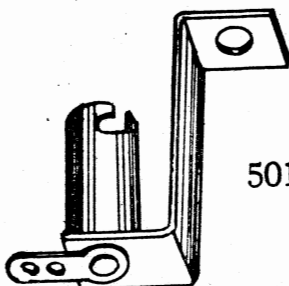
50190015

LIGHT SOCKET



50190006

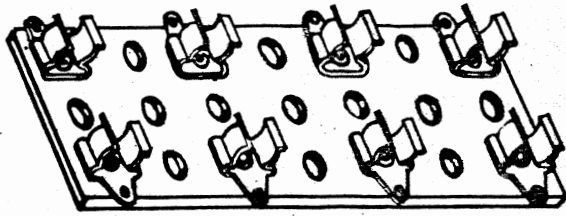
LAMP SOCKET 9/16" MOUNT



50190008

LAMP SOCKET

FUSE HOLDER



P/N

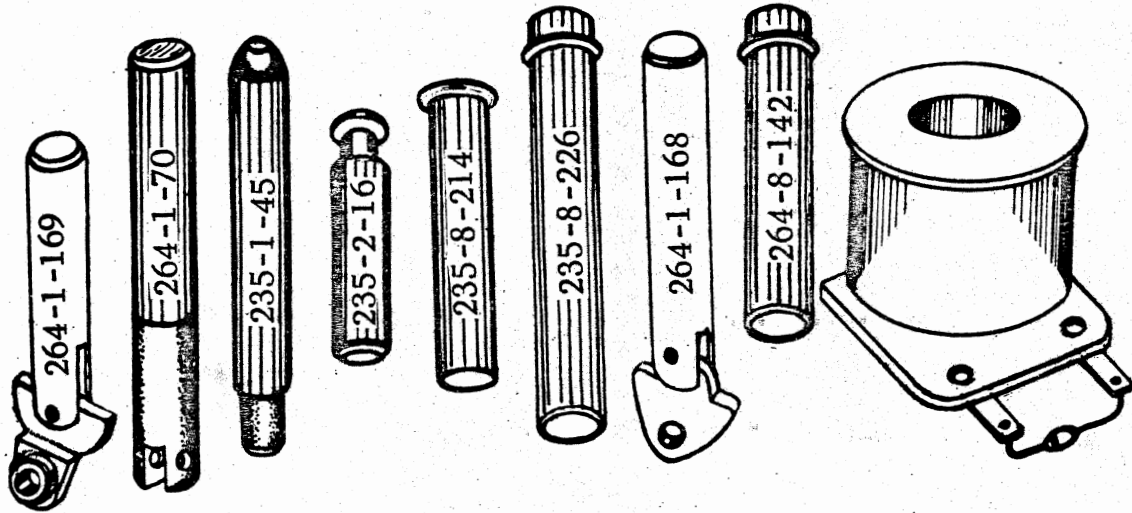
OF HOLDERS

263-10-26

3

263-10-27

4



LOCATION	ASSY. NAME	P/N	COIL NO.	OHMS	SLEEVE	PLUNGER
1	THUMPER BUMPER	264-1-9	264-1-43	9	235-8-214	235-2-16
2	DROP TARGET	264-1-36	264-1-138	11	264-8-142	264-1-70
3	GATE	264-1-13	264-1-15	100	NONE	NONE
4	KNOCKER	264-1-86	264-1-137	9	235-8-226	235-1-45
5	CHIME	264-1-98	264-1-138	11	235-8-226	235-1-45
6	BALL KICKER	264-1-11	264-1-102	11	235-8-214	264-1-168
7	BALL KICKER	292-1-11	292-1-13	15	235-8-214	264-1-168
8	FLIPPER	264-1-7	264-1-155	2.5/17	235-8-214	264-1-168
9	FLIPPER	292-1-38	292-1-29	1.5/17	235-8-214	264-1-168
10	REBOUND KICKER	264-1-10	264-1-137	9	235-8-214	264-1-169

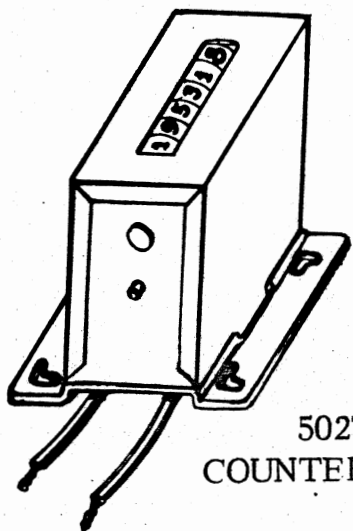
FUSES P/N

AMPS

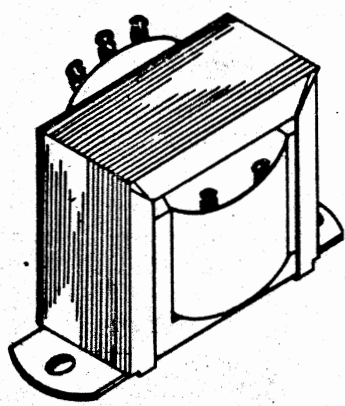


50230024
50230022
50230011
50230009
50230010
50230008

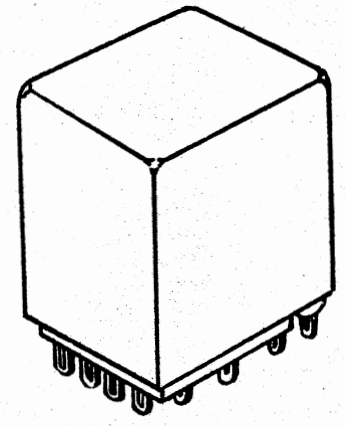
20 AMPS F. B.
 $\frac{1}{2}$ AMP
10 AMPS S. B.
8 AMPS S. B.
8 AMPS F. B.
5 AMPS S. B.



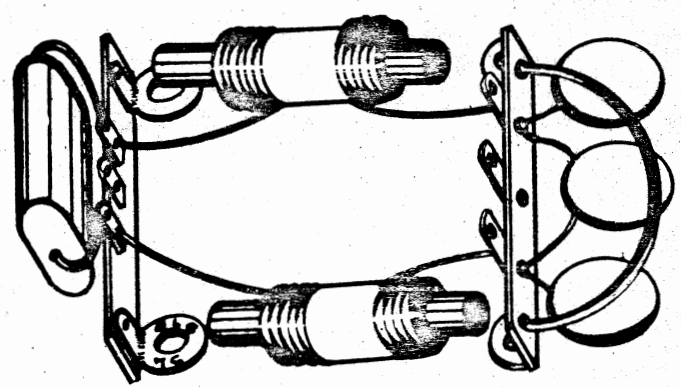
50270006
COUNTER 24 VDC



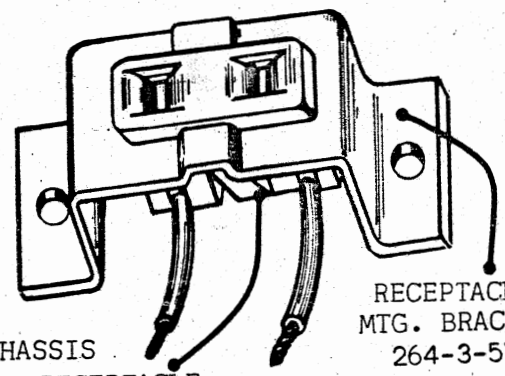
TRANSFORMER
50280022
50280028
with
LOW VOLTAGE
TAP



264-1-104
RELAY WITH DIODE ASSY.



264-1-107
A.C. LINE FILTER ASS'Y.



CHASSIS
PLUG RECEPTACLE,
50150031

RECEPTACLE
MTG. BRACKET
264-3-57

AC RECPTACLE ASS'Y.
264-1-110

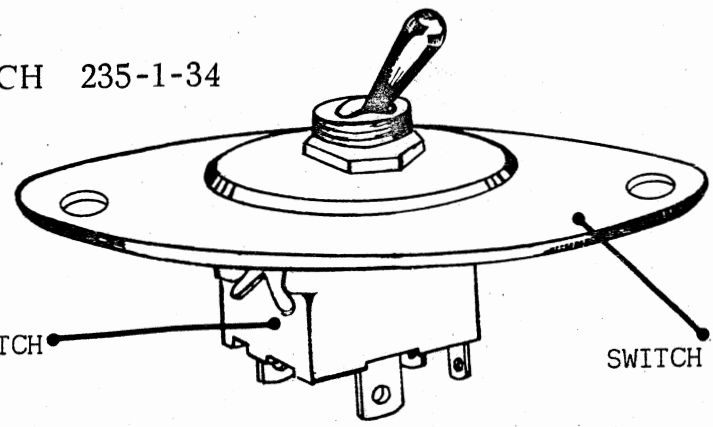


DIODE 2 AMP 50100010



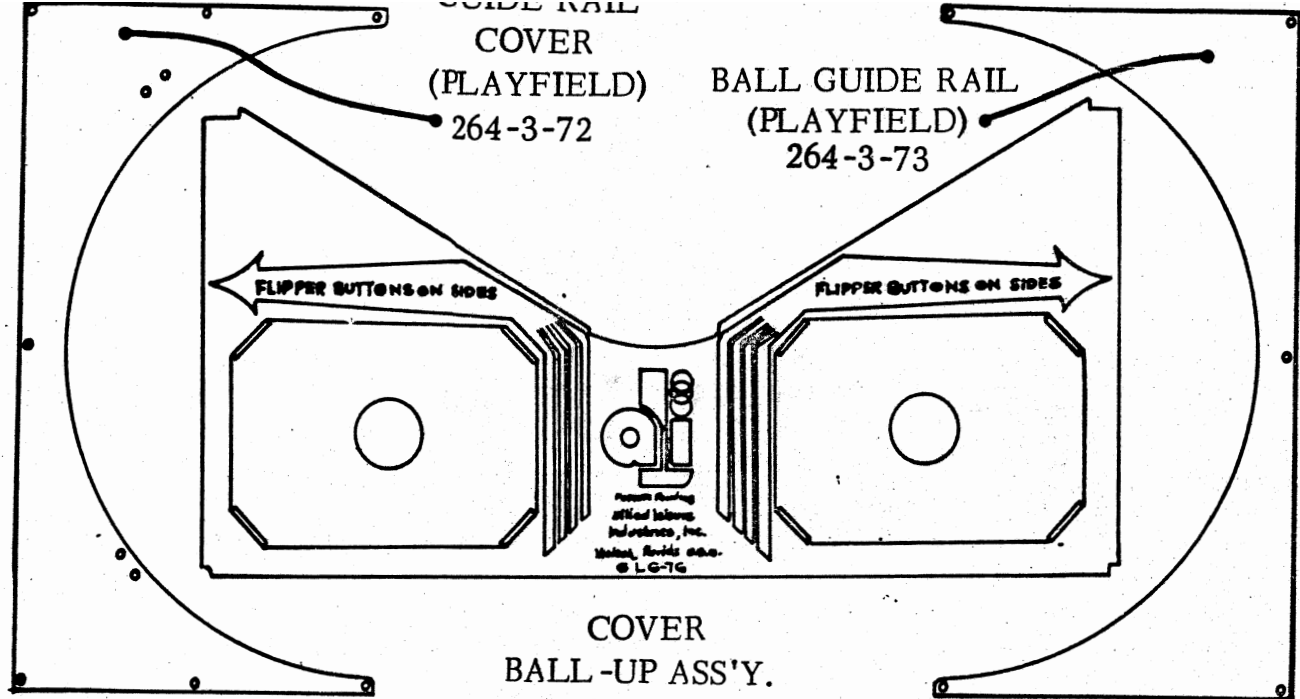
DIODE 1 AMP BA2C5
50100009

ON - OFF SWITCH 235-1-34



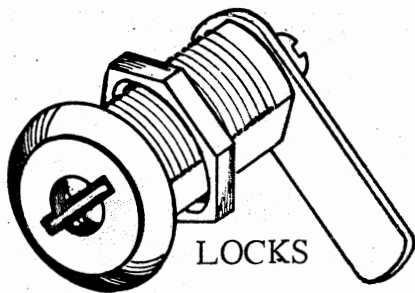
235-9-10
ON - OFF SWITCH

235-3-100
SWITCH PLATE - ON - OFF



DYNAMITE, 264-3-72
 T N T BOOGIE
 THUNDERBOLT 292-3-3

DYNAMITE, T N T,
 BOOGIE 264-3-73



POSITION

SCORE CABINET GLASS
 CASH BOX
 REAR DOOR

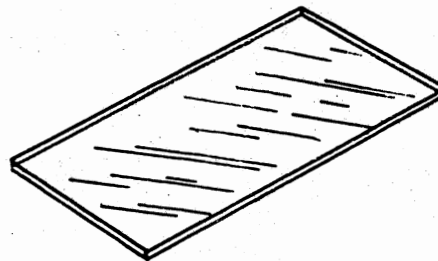
P/N (ALLIED'S)

264-8-3
 235-8-45
 235-8-44



SCORE GLASS

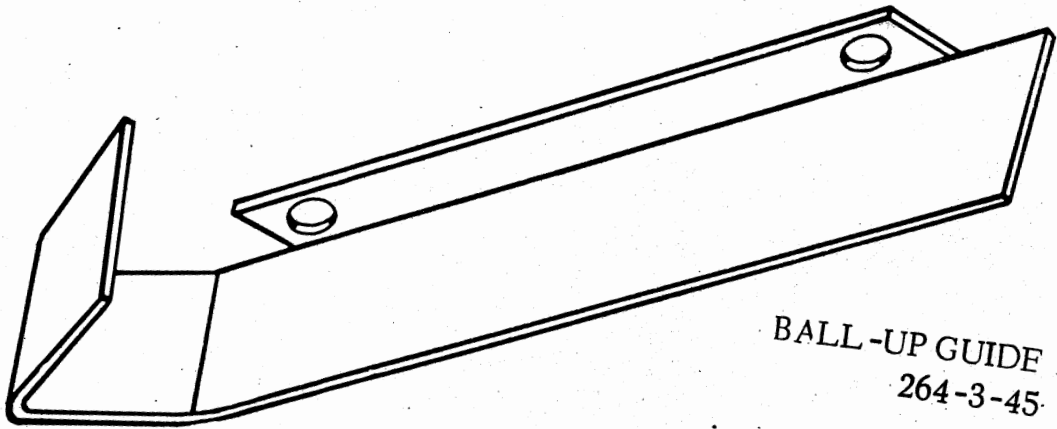
DYNAMITE 264-6-9
 T N T 288-6-1
 BOOGIE 288-6-1
 THUNDERBOLT 292-6-1



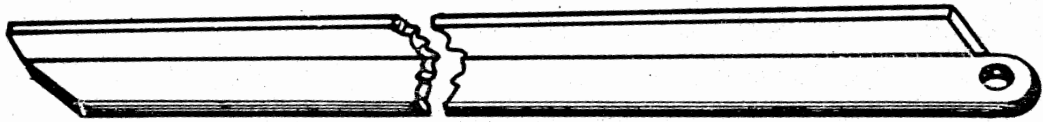
PLAYFIELD GLASS

TEMPERED
 W/POLISHED EDGES
 264-8-43
 21" x 43" x 3/16"

APRIL 76

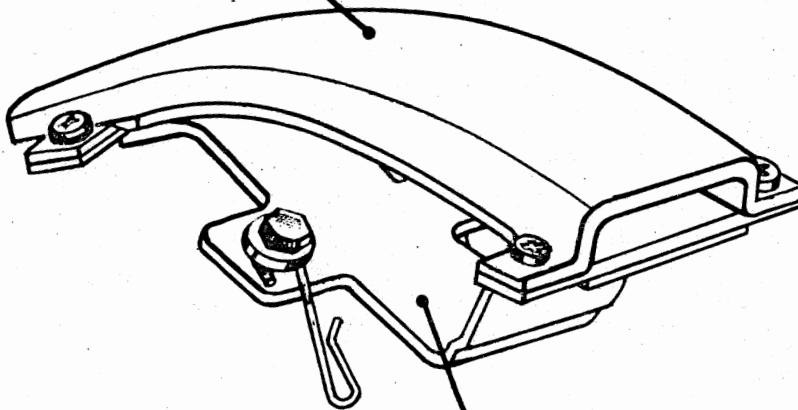


BALL-UP GUIDE RAIL #1
264-3-45



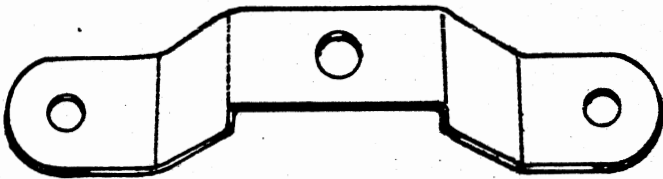
SERVICE
SUPPORT BAR (PLAYFIELD)
264-3-27

COIN CHUTE TRACK
235-3-513

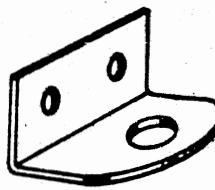


COIN CHUTE WELD ASSY.
235-1-503

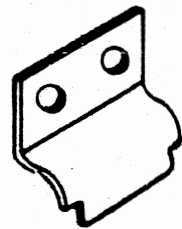
COIN CHUTE ASSY.
235-1-505



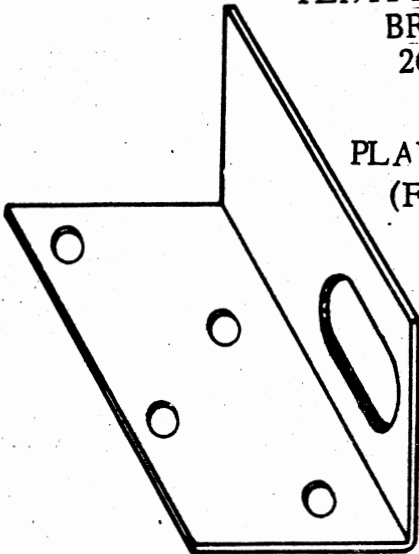
PLAYFIELD SUPPORT
BRACKET,
264-3-65



BALL-UP
HOLD-DOWN COVER
BRACKET
264-3-35

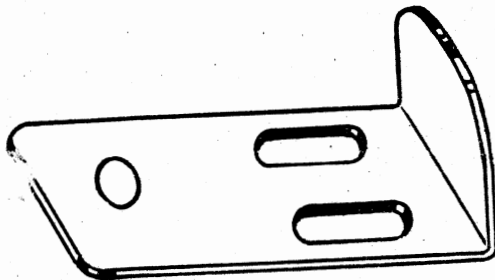
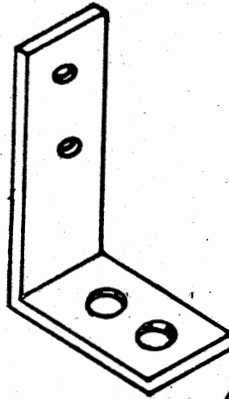


BALL-UP
HOLD-DOWN
COVER
BRACKET
264-3-34

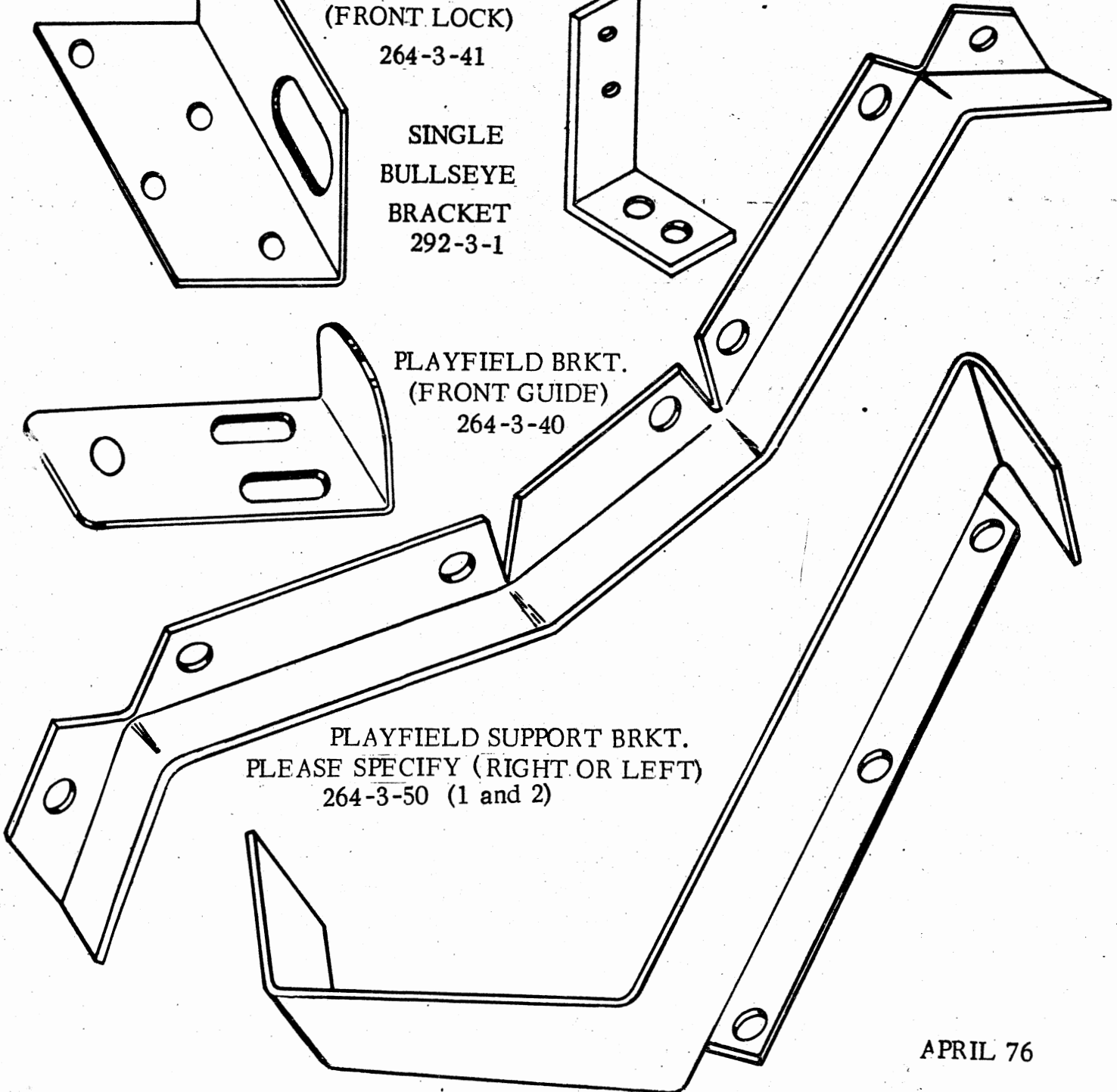


PLAYFIELD BRKT.
(FRONT LOCK)
264-3-41

SINGLE
BULLSEYE
BRACKET
292-3-1

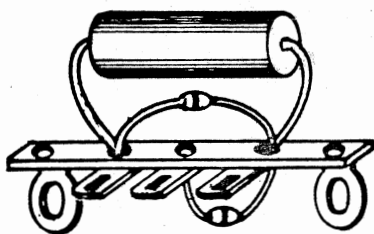


PLAYFIELD BRKT.
(FRONT GUIDE)
264-3-40

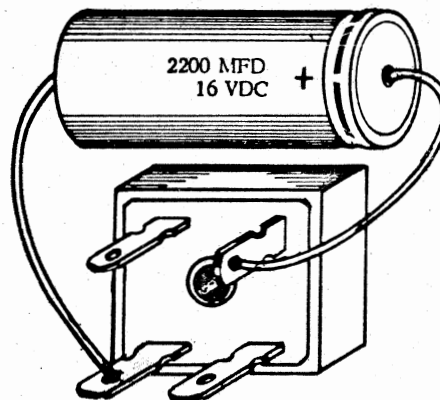


PLAYFIELD SUPPORT BRKT.
PLEASE SPECIFY (RIGHT OR LEFT)
264-3-50 (1 and 2)

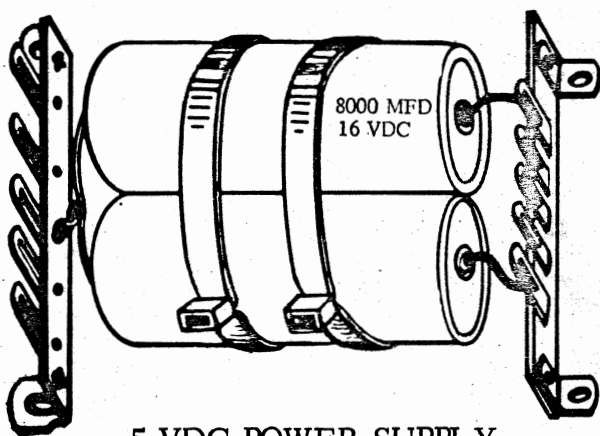
APRIL 76



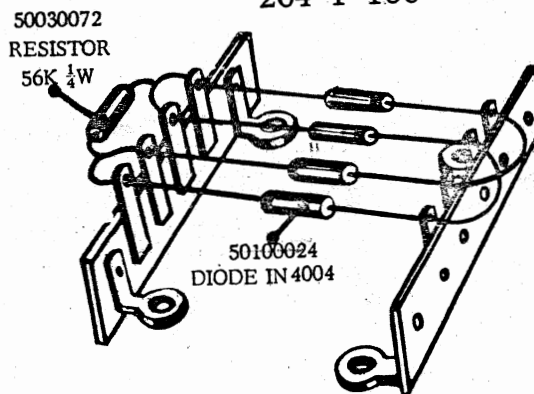
264-1-165
DIODE, CAPACITOR ASS'Y.
(FLIPPER COIL)



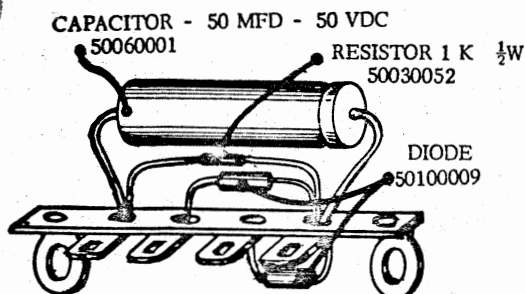
7.5 V FULL WAVE
RECTIFIER BRIDGE ASS'Y.
264-1-106



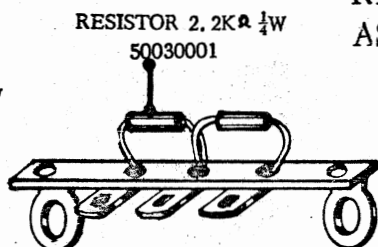
5 VDC POWER SUPPLY
FILTER ASS'Y.
264-1-108



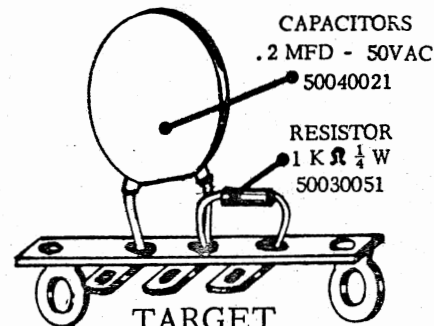
RECTIFIER BRIDGE
ASS'Y. 264-1-109



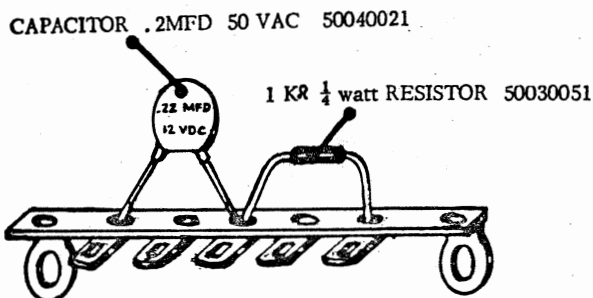
POWER OFF REFERENCE CK'T.
264-1-167



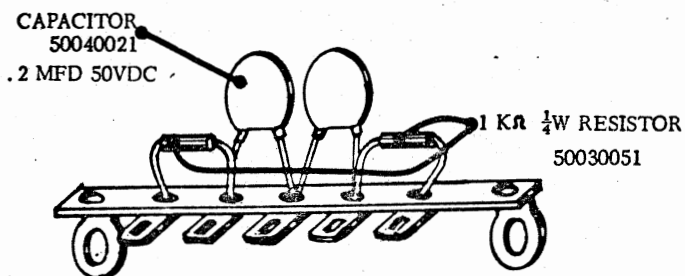
CREDIT DISPLAY
CIRCUIT
(CURRENT LIMITER)
264-1-150



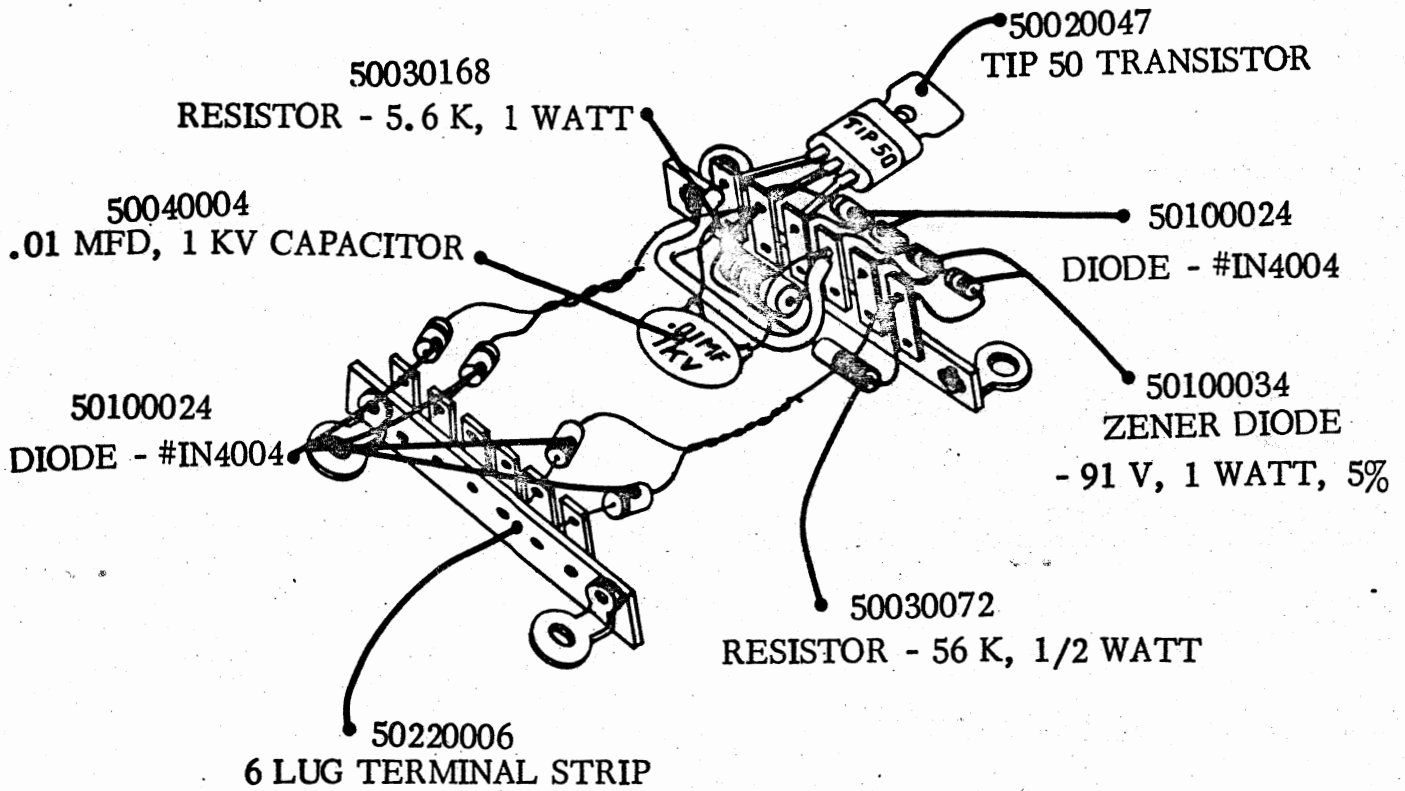
TARGET
PULL UP SEQUENCER
CIRCUIT 264-1-151



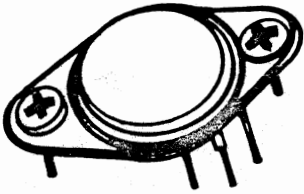
FEATURE SELECTOR CIRCUIT
264-1-149



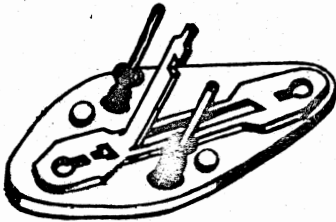
FILTER CIRCUIT CREDIT SWITCH
264-1-148



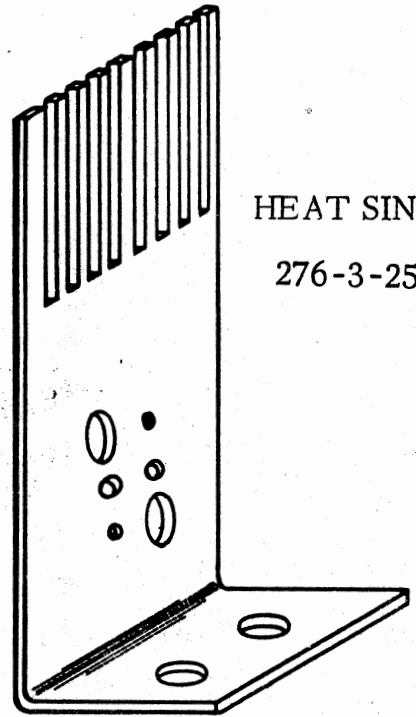
180 VOLT REGULATOR ASS'Y. 292-1-30



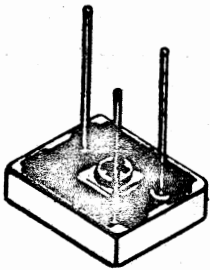
REGULATOR 5 V 78H05
50020033



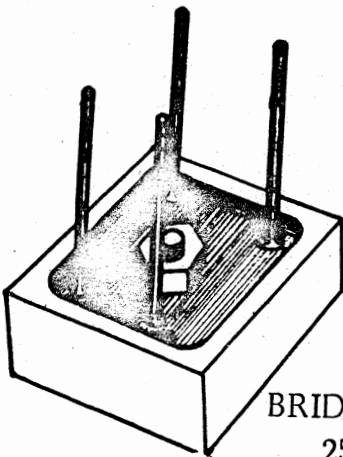
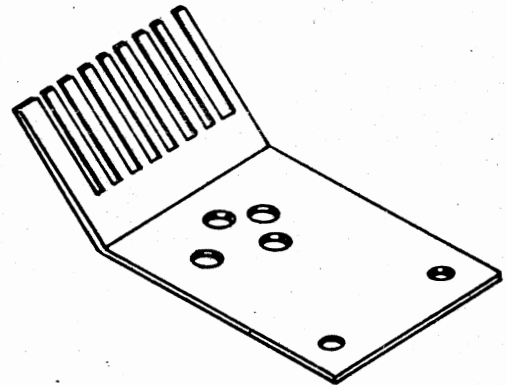
POWER TRANSISTOR
SOCKET
50020036



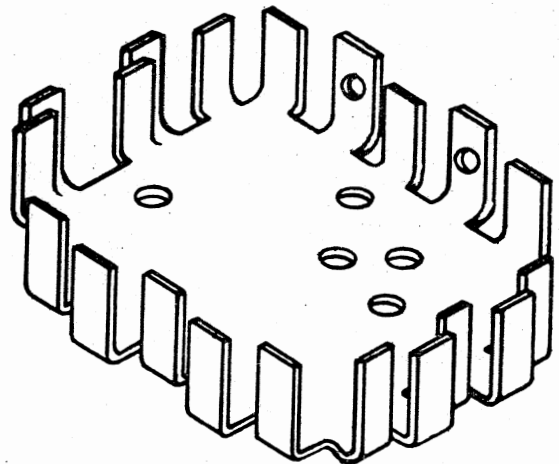
HEAT SINK
276-3-25



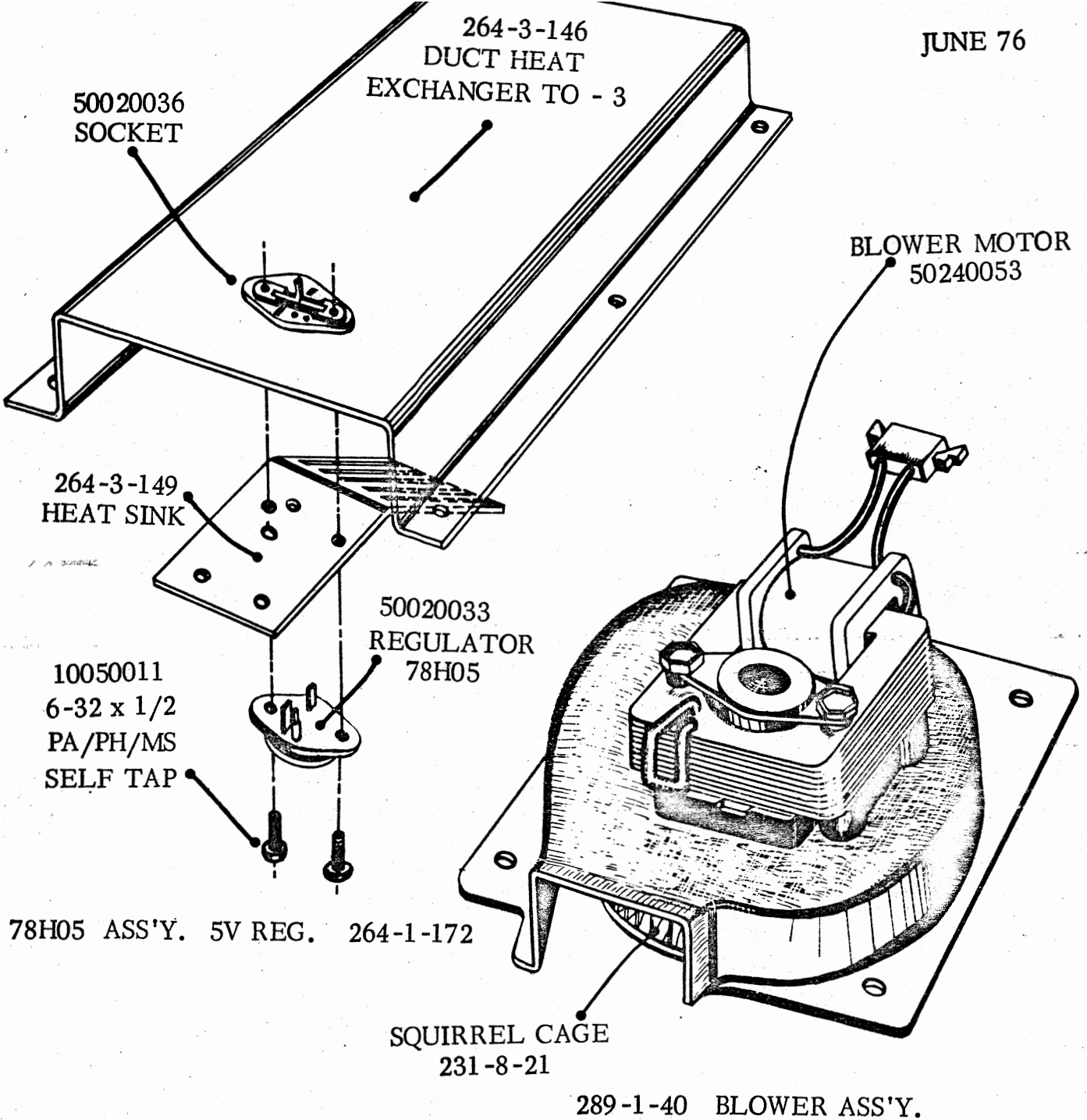
FULL WAVE RECTIFIER
18 VDC @ 6 AMP
50290001



BRIDGE RECTIFIER
25 Amp
50100031



HEAT SINK
50090003



RECTIFIER,
HEAT SINK
ASSEMBLY
292-1-35

