

GENCO

MACHINES

PARTS CATALOG

COMPLETE PARTS SERVICE

In the preparation of this catalog there has been but one thought in the minds of the GENCO organization—to render coin machine operators good genuine replacement parts for GENCO games.

The steady advancement of our company each year has been the result of one thing—we have established a reputation for good workmanship plus the finest materials.

We have taken great pains in compiling this catalog for your convenience and use. We urge you therefor to make use of this catalog whenever you need original GENCO parts for the successful operation of your GENCO games.

We are particularly anxious to satisfy you with every order. All parts you order from this catalog are guaranteed to be new original GENCO parts. You may order with complete assurance of satisfaction at all times.

GENCO MFG. & SALES CO.

2621 N. ASHLAND AVE., CHICAGO 14, ILLINOIS



INDEX

	PRICE PAGE NO.	ILLUSTRATION PAGE NO.
Adjustable Roll Down Tilt Assembly	1	15
Animation Unit Assembly (10,000)	1	7
Ball Guide Assembly	4	24
Ball Gauge Assembly	5	24
Ball Guide Plate Assembly	5	24
Ball Lift Assembly (Inside)	1	25
Ball Lift Assembly (Outside)	1	25
Coin Chute Assembly (#500 Series)	1	25
Diamond Bumper Assembly	4	26
Flipper Assembly	1	9
Front Door Re-Play Assembly	2	11
Gang Switch Assembly	3	13
Kicker Assembly	3	15
Large Rollover Button Assembly	4	26
Lite Rack Chassis Assembly	3	17
Meter Assembly	4	19
Miscellaneous Items Not Shown on Drawings	Opposite Side of Index	Page
Plastic Accessories	4	26
Plunger Assembly	4	24
Power Pak Assembly	5	19
Pump Assembly	5	7
Push Button Assembly	4	26
Rebound Assembly	4	26
Re-Play Take-Off Assembly	2	11
Re-Play Unit Assembly	2	21
Round Bumper Assembly	4	26
Rubber Accessories	5	24
Score Glass	5	
Small Rollover Button Assembly	4	26
Step-Up Unit Assembly (10,000)	5	23
Tilt Assembly (Carbon)	5	11
Time Clock (#4410)	5	15



**MISCELLANEOUS ITEMS NOT SHOWN ON DRAWINGS
OR PREVIOUSLY LISTED**

PART NUMBER	DESCRIPTION	AMOUNT	PART NUMBER	DESCRIPTION	AMOUNT
1.	Arch with rubber moulding for Total or Advance Roll	ea. \$8.13	37.	Front Door Lock Plate	ea. .06
2.	Arch—Metal only complete with rubber bushing	ea. 3.31	38.	Front Door complete, chute, lock, front door and unit, incl.	ea. 9.74
3.	Arch—Wood only	ea. 4.81	39.	Front Moulding for all games	ea. .99
4.	Ball—Glass 1"	ea. .04	40.	Side Moulding for all games	ea. 1.56
5.	Ball—Steel 1 1/8"	ea. .38	41.	Gears large with Bakelite Disc	ea. 4.38
6.	Ball—Catalin	ea. .44	42.	Gang Switch Flap	ea. .31
7.	Ball—Wood 2 1/2"	ea. .56	43.	Gate Rod for Release of Balls Inside Cabinet on Advance Roll	ea. .06
8.	Ball—Wood 3 1/8"	ea. .75	44.	Glass, plain for Playing Field	ea. 4.35
9.	Ball Pin	ea. 1.56	45.	Handle for Whizz (Outside Plunger)	ea. .56
10.	Binding Post and Screw (1 of ea. to 1 set)	set .05	46.	Instruction Chart for Total Roll	ea. .13
11.	Blade only	ea. .05	47.	Lamps No. 44, 46, 47	ea. .11
12.	Blade Assembly with Bracket	ea. .44	48.	Lamp No. 50	ea. .13
13.	Bolt for Front Moulding	ea. .04	49.	Lamp No. 1481—12 Volts	ea. .16
14.	Bolt for Light Rack	ea. .06	50.	Lamp Lumiline 18"	ea. 1.31
15.	Bumper Spring and Carbon Ring	ea. .13	51.	Lumiline Caps	ea. .19
16.	Cam for Front or Back Doors	ea. .13	52.	Lumiline Assem. Comp. Lamp, Caps, Receptacle and Reflector	ea. 3.13
17.	Cash Pan	ea. .31	53.	Legs (4 to a set)	set 5.00
18.	Coin Chute No. 500 Slide only	ea. 1.18	54.	Legs (4 to a set) for Roll Down games	set 2.50
19.	Coin Chute Extension only for Roll Down games	ea. .05	55.	Leg Adjuster complete Nut and Plate (4 to a set)	set .63
20.	Coil, miscellaneous, not shown on drawings	ea. 1.05	56.	Leg Bolts only	ea. .06
21.	Carbon 13/32 Rings only	ea. .06	57.	Leg Bolt Washer	ea. .02
22.	Corner Plate for Inside Cabinets	ea. .13	58.	Light Rack Shell (empty)	Price on Request
23.	Counter, GE, (State name of game when ordering)	ea. 1.88	59.	Lock Front or Back	ea. .81
24.	Decal—Total Roll	ea. 3.13	60.	Motor, 24 Volt AC	ea. 7.12
25.	Decal—Advance Roll	ea. 4.38	61.	Outer Ball Cup	ea. 1.88
26.	Fuses (all sizes)	ea. .05	62.	Plastic Insert #192-103, Top Dia. 2 3/32"	ea. .25
27.	Fuse Mount 1 Bank	ea. .04	63.	Plastic Piller #177	ea. .25
28.	Fuse Mount 2 Bank	ea. .08	64.	Rod, 5/8" Cross Bar with Spring (Total Roll and Advance Roll)	ea. .94
29.	Fuse Mount 3 Bank	ea. .11	65.	Rubber Washer for Metal Arch	ea. .04
30.	Fuse Mount 4 Bank	ea. .15	66.	Spring, Spiral Bumper No. 11260	ea. .06
31.	Feather Rub Switches Complete, Formed Wire and Bracket	ea. .13	67.	Spring, Ball Gate (4 to a set)	ea. .13
32.	Fibre Tip for Contact Blades	ea. .02	68.	Socket No. 658 Hammer Lug Bayonet or Screw type	ea. .13
33.	Fibre Plates 3, 4, or 5 Slot	ea. .04	69.	Tee Nut for Cabinets	ea. .06
34.	Front Door Unpainted for all Pin Games	ea. 1.56	70.	Walscolub Tubes (lubricant for Gears)	ea. .63
35.	Front Door for Total or Advance Roll	ea. 1.56	71.	Wing Nut	ea. .02
36.	Back Door for Pin Games (State name of game)	ea. 1.56	72.	Wire, Flexible Copper Braided or Pigtail	ft. .06

Important: ALWAYS MENTION NAME OF GAME, UNIT, PART NUMBER, AND DESCRIPTION



PART NUMBER	DESCRIPTION	AMOUNT	PART NUMBER	DESCRIPTION	AMOUNT
ADJUSTABLE ROLL-DOWN TILT ASSEMBLY					
		ea. \$1.90			
1412	Ball Track	ea. .55	24P	Coil	ea. 1.05
1413	Captive Frame	ea. .55	25S	Coil	ea. 1.05
1442	1/8" Steel Ball	ea. .30	6-32x3/8"	Round Head Machine Screws	doz. .10
1443	1/8"x1/8" Brass Rivets	doz. .10	6-32	Steel Nuts	doz. .10
3-4	Roll-down Tilt Switch	ea. .35	8-32x1/4"	Round Head Machine Screws with Washers	doz. .15
	3/8"-6 Round Head Wood Screws	doz. .10	#6-.040x5/32"x7/8"	Steel Washers	doz. .10
	1 3/4"-8 Round Head Wood Screws	doz. .15			
ANIMATION UNIT ASSEMBLY (10,000)			BALL LIFT ASSEMBLY (OUTSIDE)		
		ea. \$12.50			ea. \$1.15
1178A	Coil Bracket Support Assembly	ea. .85	1055-56	Knob and Rod Assembly	ea. .50
1076	Breaker Arm	ea. .10	1058	Bushing	ea. .50
1162	Coil Bracket	ea. .30	1059	.078x1/8"x1 3/8" Steel Washer	ea. .02
1178	Coil Bracket Support	ea. .35	1060	1/4" Pipe Nut	ea. .05
1417A	Coil Bracket Support Assembly	ea. .80		1/8"x1/2" Cotter Pins	doz. .10
1158-2	Flange Bracket	ea. .05		1/4"x7/8" Steel Washers	doz. .10
1162	Coil Bracket	ea. .30	BALL LIFT ASSEMBLY (INSIDE)		
1417	Coil Bracket Support	ea. .35			ea. \$1.15
1132A	24 Tooth Gear Assembly	ea. .75	1046	.035 Torsion Spring	ea. .10
	(All individual items not shown on drawing)		1143	Ball Lift	ea. .45
1161A	24 Tooth Contact Bakel. Assem.	ea. 1.25	1145	Bracket	ea. .40
1171A	Reset Arm Assembly	ea. .25	1385	5/8"x7/8"x1/4" Rubber Bushing	ea. .05
1039	.018x.195x7/8" Extension Spring	ea. .05		1/8"x1/2" Cotter Pins	doz. .10
1170	Reset Arm Bracket	ea. .05		1/4"x7/8" Steel Washers	doz. .10
1171	Reset Arm	ea. .10	COIN CHUTE ASSEMBLY (#500 SERIES)		
1221	Shoulder Rivet	ea. .05			ea. \$5.00
1172A-1	Armature Assembly	ea. .75	1190*	Attach Angle	ea. .20
1038	.020x.195x7/8" Extension Spring	ea. .05	1254	.022x1/4"x2 1/8" Extension Spring	ea. .05
1045-2	.012x.155x1/8" Extension Spring	ea. .05	1415	Extension Spring	ea. .05
1146	Shim	ea. .05	1416*	Switch Bracket	ea. .20
1172	Armature	ea. .15		#500 Coin Chute	ea. 4.75
1256	Armature Arm	ea. .25		6-32x3/8" Round Head Machine Screws	doz. .10
1259	Armature Arm Dog	ea. .15		6-32 Nuts	doz. .10
1369	R3232x7/32" Brass Rivets	doz. .10	FLIPPER ASSEMBLY		
1440	1/8"x1/8" Steel Rivets	doz. .15			ea. \$5.00
	#6-.032x1/8" Brass Washers	doz. .10	1446A*	J-110A Solenoid Assembly	ea. 1.40
1172A-2	Armature Assembly	ea. .60	1226*	Solenoid Bracket	
1038	.020x.195x7/8" Extension Spring	ea. .05	1364*	Motor Bracket	
1146	Shim	ea. .05	1446-1*	J-110 Solenoid	
1152	Armature Arm	ea. .20	Individual items included in the Flipper Assembly:		
1155	Bakelite Contact Spacer	ea. .05	44	Plastic Island	ea. .15
1168	.087x11/64" Brass Rivets	doz. .10	1036	Spring Stud, (BR3A)	ea. .05
1172	Armature	ea. .15	1263	Solenoid Rod	ea. .20
1369	R3232x7/32" Brass Rivets	doz. .10	1264	1/32"x 33/64"x 1/8" Steel Washer	ea. .02
Individual items included in the 10,000 Animation Unit Assembly:			1265-1	.022x17/32"x 2 1/2" Solenoid Spring	ea. .05
1201	Hex head gear bolt (HS2 Stud)	ea. .20	1304	Brass Bushing	ea. .15
1418	Mounting Brackets (Specify length)	ea. 1.00	1305*	Lock Bushing	set. .25
1441	R3312x4/16" Steel Rivets	doz. .10	1306**	Shaft	set. .20
1441-1	R3312x7/8" Steel Rivets	doz. .10	1400-3	1" I.D. Ring	ea. .06
1441-2	R3312x6/16" Steel Rivets	doz. .10			
1-1A	Counter Switch	ea. .95			
1-2A	Locking Switch	ea. .35			

* Indicates Item Sold as One Assembly

Important: ALWAYS MENTION NAME OF GAME, UNIT, PART NUMBER, AND DESCRIPTION



PART NUMBER	DESCRIPTION	AMOUNT	PART NUMBER	DESCRIPTION	AMOUNT
1401	Extension Arm	ea. .10	1372*	Solenoid Bracket Strap	
1408**	Mounting Plate (This item not included (in drawing))	set. .20	1444-1*	J-105 Solenoid	
1409*	Bushing Plate	set. .25	*	8-32x $\frac{3}{8}$ " Round Head Machine Screw	
1410	Bushing Plate Connector	ea. .10	*	(Items are sold as one assembly)	
1411	Brass Stop	ea. .20	1445A*	J-106A Reset Solenoid Assem.	ea. 1.40
1441-6	R3312x $\frac{1}{8}$ " Steel Rivets	doz. .15	1226*	Solenoid Bracket	
	33/64"x $\frac{3}{4}$ " Fibre Washers	doz. .20	1373*	Solenoid Bracket	
	10-32x $\frac{1}{4}$ " Allen Head Set Screw	ea. .05	1445-1*	J-106 Solenoid	
	$\frac{3}{8}$ "-#4 Round Head Wood Screws	doz. .10	*	8-32x $\frac{3}{8}$ " Round Head Machine Screws	
	#6-.032x $\frac{5}{16}$ " Brass Washers	doz. .10	*	(Items sold as one assembly)	
*	(Items 1305 and 1409 are sold as one assembly)				
**	(Items 1306 and 1408 are sold as one assembly)				
	RE-PLAY UNIT ASSEMBLY	ea. \$15.00		Individual Items included in the Re-Play Unit Assembly:	
1079A	Step-Up Unit Plate Assembly	ea. 5.00	1033	Steel Collar, (BR2)	ea. .10
1022	.013x.154x $1\frac{1}{4}$ " Extension Spring	ea. .05	1043	.033x $\frac{3}{4}$ " Torsion Spring	ea. .15
1048-8	.010x.157x $\frac{1}{8}$ " Extension Spring	ea. .05	1054	#132 Solenoid Rod	ea. .20
1079	Unit Plate	ea. 3.00	1243	.041 Torsion Spring	ea. .10
1109	Reset Arm Check	ea. .20	1367	Felt Oil Strip	ea. .02
1158-2	Flange Bracket	ea. .05	1370	Window	ea. .20
1221	Shoulder Rivet	ea. .05	4-1A	Re-Play Take Off Series Switch	ea. .35
1252	Steel Shaft	ea. .15	4-2A	Open At Zero Switch	ea. .65
1253	Bushing	ea. .15	4-4A	Double Locking Switch	ea. .95
1268	Shoulder Rivet	ea. .05		8-32 Nuts	doz. .10
1290	Recording Stop Stud, $\frac{3}{16}$ "	ea. .05		10-24x $\frac{1}{4}$ " Set Screw	ea. .05
1293	Gear Stop	ea. .05		$\frac{5}{16}$ "x $\frac{3}{4}$ " Steel Washers	doz. .10
1371	Step-Up Locking Dog	ea. .15			
1273A	Main Recording Arm Assembly	ea. .75		RE-PLAY TAKE-OFF ASSEMBLY	ea. \$.50
1002	Steel Bushing, (G3)	ea. .15	1173-1	Plate	ea. .10
1020	#131 Brass Spacer	ea. .05	1173-2	Plate	ea. .10
1021	Hard Plastic Tubing	ea. .03	1406	Bar	ea. .20
1023-10	.016x.180x $1\frac{7}{32}$ " Extension Spring	ea. .05		$\frac{3}{8}$ "-#6 Round Head Wood Screws	doz. .10
1029	FC2 Shoulder Rivet	ea. .05			
1048-6	.010x.157x $\frac{5}{16}$ " Extension Spring	ea. .05		FRONT DOOR RE-PLAY ASSEMBLY	ea. \$4.00
1257	Recording and Reset Arm Pin	ea. .10	1185A	Front Door Plate Assembly	ea. .95
1273	Recording Arm	ea. .15	1158-2	Flange Bracket	ea. .05
1365	Step-Up Dog	ea. .10	1162	Coil Bracket	ea. .30
1309-60A	Reset Arm Assembly	ea. .40	1185	Plate	ea. .30
1020	#131 Brass Spacer	ea. .05	1405	Socket	ea. .30
1021	Hard Plastic Tubing	ea. .03	1172A-4	Armature Assembly	ea. .60
1235	Shoulder Rivet	ea. .10	1023-4	.016x.180x $\frac{7}{8}$ " Extension Spring	ea. .05
1257	Recording and Reset Arm Pin	ea. .10	1146	Shim	ea. .05
1309-60	Reset Arm	ea. .10	1152-1	Armature Arm	ea. .20
1366F-A	60 Tooth Gear Assembly	ea. 1.40	1172	Armature	ea. .15
1002	Steel Bushing (G3)	ea. .15	1369	R3232x $\frac{7}{32}$ " Brass Rivets	doz. .10
1009	Fibre Stop, (BR4A)	ea. .05		Individual Items included in the Front Door Re-Play Assembly:	
1010	Steel Stop, (BR4A)	ea. .05	1125	Double Contact Washer	ea. .01
1011	Brass Shoulder Rivet	ea. .05	1-3A	Switch	ea. .35
1283	Re-Play Game Wheel	ea. .70	1-3B	Switch	ea. .35
1366F	60 Tooth Gear	ea. .30		#1405 Socket	ea. .30
1369	R3232x $\frac{7}{32}$ " Brass Rivets	doz. .10		#30 Coil	ea. 1.05
1444A*	J-105A Step-Up Coil Assembly	ea. 1.40		#294 Brass Eyelets	doz. .10
1226*	Solenoid Bracket	ea. 1.30		4-36 Nuts	doz. .10
				4-36x $\frac{5}{8}$ " Round Head Machine Screws	doz. .10

* Indicates Item Sold as One Assembly

Important: ALWAYS MENTION NAME OF GAME, UNIT, PART NUMBER, AND DESCRIPTION



PART NUMBER	DESCRIPTION	AMOUNT	PART NUMBER	DESCRIPTION	AMOUNT
	8-32x1/4" Round Head Machine Screws, with Washers	doz. .15		LITE RACK CHASSIS ASSEMBLY	(Price on Request)
	GANG SWITCH ASSEMBLY		1132A	24 Tooth Gear Assembly	ea. .75
	(Price on Request)			(All individual parts not shown on drawing)	
1172A-3	Armature Assembly	ea. .60	1006-2	.010x.163x1/8" Contact Pin Spring	ea. .03
1023-4	.016x.180x7/8" Extension Spring	ea. .05	1007	Contact Pin Rivet (GC1)	ea. .03
1146	Shim	ea. .05	1161A	24 Contact Bakelite Assembly	ea. 1.25
1152	Armature Arm	ea. .20	1294A	40 Tooth Gear Assembly	ea. 1.15
1155	Bakelite Contact Spacer (Specify number of slots needed)	ea. .05	1006-2	.010x.163x1/8" Contact Pin Spring	ea. .03
1168	.087x11/64" Brass Rivets	doz. .10	1007	Contact Pin Rivet (GC1)	ea. .03
1172	Armature	ea. .15		(All individual parts not shown on drawing)	
1369	R3232x7/32" Brass Rivets	doz. .10	1278A	40 Contact Bakelite Assembly	ea. 1.75
1300A	Slide Bracket Assembly	ea. .30	1178A-1	Coil Bracket Support Assembly	ea. .95
1155	Bakelite Contact Spacer (Specify number of slots)	ea. .05	1076	Breaker Arm	ea. .10
1168	.087x11/64" Brass Rivets	doz. .10	1162	Coil Bracket	ea. .30
1300	Brass Slide Bracket	ea. .20	1178	Coil Bracket Support	ea. .35
	Individual items included in the Gang Switch Assembly:		1421	Bell Bracket	ea. .10
1022	.013x.158x1 1/4" Extension Spring	ea. .05	1417A	Coil Bracket Support Assembly	ea. .80
1022-1	.013x.158x1 3/8" Extension Spring	ea. .05	1158-2	Flange Bracket	ea. .05
1036	Spring Stud	ea. .05	1162	Coil Bracket	ea. .30
1162-1	Coil Bracket	ea. .35	1417	Coil Bracket Support	ea. .35
1186	Reset Bar	ea. .75	1171A	Reset Arm Assembly	ea. .25
1298	Plate	ea. 2.00	1045-1	.012x.155x9/16" Extension Spring	ea. .05
1301	Armature	ea. .35	1170	Reset Arm Bracket	ea. .05
1303	Contact Mounting Bracket	ea. 1.00	1171	Reset Arm	ea. .10
1310	Leg	ea. .75	1221	Shoulder Rivet	ea. .05
1414	Slide Bracket Stop	ea. .10	1172A-1	Armature Assembly	ea. .75
	24M Coil	ea. 1.05	1038	.020x.195x7/8" Extension Spring	ea. .05
	24S Coil	ea. 1.05	1045-2	.012x.155x7/8" Extension Spring	ea. .05
	30 Coil	ea. 1.05	1146	Shim	ea. .05
	6-32x1/4" Round Head Machine Screws	doz. .10	1172	Armature	ea. .15
	8-32x1/4" Round Head Machine Screws with Washers	doz. .15	1256	Armature Arm	ea. .25
	KICKER ASSEMBLY	ea. \$4.00	1259	Armature Arm Dog	ea. .15
1446-A*	J-110A Solenoid Assembly	ea. 1.40	1369	R3232x7/32" Brass Rivets	doz. .10
1226*	Solenoid Bracket	ea. .20	1440	1/8"x1/8" Steel Rivets	doz. .15
1364*	Motor Bracket	ea. .20		6-.032x1 5/8" Brass Washers	doz. .10
1446-1*	J-110 Solenoid	ea. .20	1172A-2	Armature Assembly	ea. .60
*	(Items sold as one assembly)		1038	.020x.195x7/8" Extension Spring	ea. .05
1262	Kicker Dog Bracket	ea. .20	1146	Shim	ea. .05
1263	Solenoid Rod	ea. .20	1152	Armature Arm	ea. .20
1264	1/32"x 33/64"x 1 3/8" Steel Washer	ea. .02	1155	Bakelite Contact Spacer	ea. .05
1265-1	.022x17/32"x2 1/2" Solenoid Rod Spring	ea. .05	1168	.087x11/64" Brass Rivets	doz. .10
1266	Kicker Dog	ea. .20	1172	Armature	ea. .15
1268	Shoulder Rivet	ea. .05	1369	R3232x7/32" Brass Rivets	doz. .10
1401-1	Extension Arm	ea. 1.00		Individual items included in Light Rack Chassis Assembly:	
1441-6	R3312x1 3/8" Steel Rivets	doz. .15	1040	.022 Torsion Spring	ea. .10
	33/64"x 3/4" Fibre Washers	doz. .20	1066	Gear Bushing (HS1)	ea. .15
	6-.032x1 5/8" Brass Washers	doz. .10	1112	Bell Bracket	ea. .10
			1179	Contact Bracket	ea. .05
			1201	Hex Head Gear Bolt (HS2)	ea. .20
			1258	Stop Pin	ea. .05
			1280	.024 Torsion Spring	ea. .10
			1281	Reset Arm Bushing	ea. .05
			1287	Reset Arm (40 Tooth)	ea. .25
			1418	Mounting Bracket	ea. 1.00
			1419	2 1/2" Bell	ea. .50

* Indicates Item Sold as One Assembly

Important: ALWAYS MENTION NAME OF GAME, UNIT, PART NUMBER, AND DESCRIPTION



PART NUMBER	DESCRIPTION	AMOUNT	PART NUMBER	DESCRIPTION	AMOUNT
1420	4 $\frac{3}{4}$ " Bell	ea. .75	25A	Round Bumper Assembly	ea. .80
1422	Bell Hammer Arm	ea. .10	14	Base	ea. .05
4-1	Hi Score Re-Play Switch	ea. .35	15	Wafer, (with pin & copper wire)	ea. .20
4-1	10,000-210,000 Animation Switch	ea. .35	25-1	Body	ea. .25
4-2	1000 Relay Switch	ea. .95	30	Cap	ea. .10
4-2	Re-Play Relay Switch	ea. .95	250	Star Cap, (not shown on drawing)	ea. .10
4-3	10,000-210,000 Animation Switch (2 blade)	ea. .35	147	Ball Gate Assembly	ea. .25
4-4	10,000-210,000 Animation Switch (6 blade)	ea. 1.25	147-1	Blue Steel Spring	ea. .04
4-5	100,000 Reset Switch	ea. .80	158A	Small Rollover Button Assembl.	ea. .35
4-10	Animation Relay Switch	ea. .65	157-5	Pin, ($\frac{9}{16}$ " or $\frac{1}{8}$ " shank)	ea. .15
	#24 Coil	ea. 1.05	157-10	Fasteners	doz. .10
	#26A Coil	ea. 1.05	158	Insert	ea. .20
	#1412 Socket	ea. .65	200-5-A	Push Button Assembly	ea. .10
	METER ASSEMBLY	ea. \$5.00	200-5-1	Push Button	ea. .05
1178A-2	Coil Bracket Support Assembly	ea. .80	1047	AMP-7 Compression Spring	ea. .05
1158-2	Flange Bracket	ea. .05		$\frac{1}{2}$ "x $\frac{1}{8}$ " Cotter Pins	doz. .10
1162	Coil Bracket	ea. .30		$\frac{5}{16}$ "x $\frac{3}{4}$ " Steel Washers	doz. .10
1178	Coil Bracket Support	ea. .35	225A	Diamond Bumper Assembly	ea. .80
1407	Mounting Bracket	ea. .10	214	Base	ea. .05
1172A-4	Armature Assembly	ea. .60	215	Wafer, (with pin & copper wire)	ea. .20
1146	Shim	ea. .05	225-1	Body	ea. .25
1151	Armature Arm	ea. .20	230	Cap	ea. .10
1172	Armature	ea. .15	1047	AMP-7 Compression Spring	ea. .05
	R3232x7/32" Brass Rivets	doz. .10	258A	Large Rollover Button Assembl.	ea. .45
	Individual Items Included in the Meter Assembly:		157-10	Fasteners	doz. .10
1023-6	.016x.180x1" Extension Spring	ea. .05	258-1	Insert	ea. .25
3-12	Meter Switch	ea. .45	258-5	Pin	ea. .15
	#24P Coil	ea. 1.05	1317A	Rebound Assembly	ea. .30
	GE-1000 Meter	ea. 2.00	1270	Rebound Plate	ea. .10
	4-36 Nuts	doz. .10	1317	Rebound Support	ea. .10
	4-36x $\frac{1}{4}$ " Round Head Machine Screws	doz. .10		1" O.D.x $\frac{5}{8}$ " I.D. Balloon Rubber Ring	ea. .10
	4-36x $\frac{3}{8}$ " Round Head Machine Screws	doz. .10	1397A	Rebound Assembly	ea. .45
	8-32x $\frac{1}{4}$ " Round Head Machine Screws, with Washers	doz. .15	1267	$\frac{1}{4}$ " O.D.x $\frac{3}{8}$ " Bushing	ea. .05
	PLASTIC ACCESSORIES		1270	Rebound Plate	ea. .10
1-2	Post	ea. .08	1275	Steel Washer	2 for .05
4	Small Island	ea. .15	1397-1	1 $\frac{1}{2}$ " O.D. Rebound Rubber	ea. .15
5-2	Rebound Counter	ea. .20		10-32 Square Nuts	doz. .10
5-3	Light Shield	ea. .20		10-32- $\frac{3}{4}$ " Round Head Machine Screws	doz. .10
12	Triangle	ea. .15	1069A	Plunger Assembly	ea. 2.50
31	Large Island	ea. .20	1037	Barrel Spring	ea. .10
44	Flipper	ea. .10	1061*	Rod	Per set 1.20
46	Large Clamp	ea. .05	1062*	Knob	Per set 1.20
49	Light House	ea. .20	1064	Plunger Spring	ea. .10
50	Medium Clamp	ea. .04	1065	.062x $\frac{1}{4}$ " I.D.x $\frac{7}{8}$ " O.D. Steel Washers	doz. .10
51	Small Clamp	ea. .03	1069-1	Plunger Casting	ea. 1.20
52	Large Guide	ea. .10	1070	Knurled Brass Bushing	ea. .05
54	Medium Guide	ea. .08	1072	.035x $\frac{5}{16}$ " I.D.x $\frac{7}{8}$ " O.D. Steel Washers	doz. .10
84	Small Guide	ea. .05	1386	Rubber Plunger Tip	ea. .05
339-10	Insert ($\frac{5}{8}$ " top diameter)	ea. .10		$\frac{1}{8}$ "x $\frac{1}{2}$ " Steel Cotter Pins	doz. .10
339-12	Insert ($\frac{3}{4}$ " top diameter)	ea. .10		10-32x $\frac{5}{8}$ " Round Head Machine Screws	doz. .10
339-14	Insert ($\frac{7}{8}$ " top diameter)	ea. .10		$\frac{7}{8}$ " #7 Oval Head Wood Screws, N. P.	doz. .10
339-103	Insert (1 $\frac{1}{8}$ " top diameter)	ea. .10	1227A	Ball Guide Assembly	ea. 1.20
339-104	Insert (1 $\frac{1}{4}$ " top diameter)	ea. .10	1227-1	Ball Guide	ea. 1.15
339-200	Insert (2" top diameter)	ea. .15			

* Indicates Item Sold as One Assembly

Important: ALWAYS MENTION NAME OF GAME, UNIT, PART NUMBER, AND DESCRIPTION



PART NUMBER	DESCRIPTION	AMOUNT	PART NUMBER	DESCRIPTION	AMOUNT
1388	Ball Stop Plate	ea. .05	1371	Step Up Locking Dog	ea. .15
	5/8" #5 Oval Head Wood Screws, N. P.	doz. .10	1392	Terminals	doz. .15
1315A	Ball Guide Plate Assembly	ea. .90	1273A	Main Recording Arm Assembly	ea. .75
1315-1	Ball Guide	ea. .90	1002	Steel Bushing (G3)	ea. .15
	1/2" #5 Round Head Wood Screws, N. P.	doz. .10	1020	#131 Brass Spacer	ea. .05
1387A	Ball Gauge Assembly	ea. 1.20	1021	Hard Plastic Tubing	ea. .03
1387-1	Ball Gauge	ea. 1.20	1023-10	.016x.180x1 7/32" Extension Spring	ea. .05
	7/8" #5 Oval Head Wood Screws, N. P.	doz. .10	1029	FC2 Steel Shoulder Rivet	ea. .05
	Power Pak Assembly		1048-6	.010x.157x1 5/8" Extension Spring	ea. .05
	Power Pak, (Transformer and Rectifier sold as one unit) Price on Request		1257	Recording and Reset Arm Pin	ea. .10
	24 Junction Rectifier, Copper Sulfide (Not Shown On Drawing) Price on Request		1273	Arm	ea. .15
	GE6RS5D7 Selenium Rectifier Price on Request		1365	Step Up Dog	ea. .10
	BL22-447 Selenium Rectifier, (Not Shown on Drawing) Price on Request		1366T-A	60 Tooth Gear Assembly	ea. 1.40
	(Specify Name of Game When Order- ing Power Paks, or Rectifiers)		1002	Steel Bushing, (G3)	ea. .15
1404A	Pump Assembly	ea. 1.25	1004	Large Gear Brush Arm	ea. .20
1067	Shaft	ea. .10	1006-1	.010x.163x1 1/8" Compression Spring	ea. .03
1197-4	.040x.144 I.D.x3/4" O.D. Steel Washers	doz. .10	1007	Contact Pin, (GC1 Rivet)	ea. .03
1197-6	.040x.144 I.D.x1 1/8" O.D. Steel Washers	doz. .10	1366T-1	60 Tooth Gear	ea. .30
1403	Leather Cap	ea. 10	1368	#920 Terminals	doz. .15
1404-1	Body	ea. .80	1393	E5474 Brass Eyelet, N. P.	ea. .02
1405	Cap	ea. .20	1441	R3312x4/16" Steel Rivets	doz. .10
	6-32x1/4" Round Head Machine Screws	doz. .10	1394A	60 Contact Bakelite Assembly	ea. 3.50
	10-32x3/8" Round Head Machine Screws	doz. .10	1394-1	60 Contact Bakelite	ea. 3.00
	RUBBER ACCESSORIES		1396	Bakelite Plate Leg	ea. .05
1399	3/8" Half Round Rubber Molding, (Specify length)	ft. .10	1453	R3458x9/64" Brass Rivets	doz. .10
1400-1	5/8" I.D. Rubber Rings	ea. .04	1444A*	J-105A Step Up Solen'd Assem.	ea. 1.40
1400-2	3/4" I.D. Rubber Rings	ea. .05	1226*	Solenoid Bracket	ea.
1400-3	1" I.D. Rubber Rings	ea. .06	1372*	Solenoid Bracket Strap	ea.
1400-4	1 1/4" I.D. Rubber Rings	ea. .08	1444-1*	J-105 Solenoid	ea.
1400-5	1 1/2" I.D. Rubber Rings	ea. .09		*8-32x7/8" Round Head Machine Screws	doz.
1400-6	2" I.D. Rubber Rings	ea. .10		Individual items included in the 10,000 Step Up Unit Assembly:	
1400-7	2 1/2" I.D. Rubber Rings	ea. .11	4-3A	Double Locking & "1000 Take-Off" Switch	ea. 1.00
1400-8	3" I.D. Rubber Rings	ea. .12	1033	Steel Collar, (BR2)	ea. .10
1400-9	3 1/2" I.D. Rubber Rings	ea. .13	1054	Solenoid Rod, (#132)	ea. .20
1400-10	4" I.D. Rubber Rings	ea. .14	1128	Spacer	ea. .05
	SCORE GLASS (All Games)		1367	Felt Oil Ring	ea. .02
	(Price on Request)		1395	5/8"x3/4" Bronze Split Washers	doz. .10
	10,000 STEP UP UNIT ASSEMBLY	ea. \$15.00	1395-1	5/8"x3/4" Steel Washers	doz. .10
1079A	Step Up Unit Plate Assembly	ea. 5.00		10-24x1/4" Square Head Set Screw	ea. .05
1022	.013x.154x1 1/4" Extension Spring	ea. .05		10-32x1 3/4" Round Head Machine Screws	doz. .15
1079	Unit Plate	ea. 3.00		8-32 Nuts	doz. .10
1158-2	Flange Bracket	ea. .05		10-32 Nuts	doz. .10
1252	Steel Shaft	ea. .15		TILT ASSEMBLY (CARBON)	ea. \$1.00
1253	Bushing	ea. .15	1180	Bracket	ea. .10
1268	Shoulder Rivet	ea. .05	1204	Cabinet Tilt Angle	ea. .05
1290	1 3/8" Recording Stop Stud	ea. .05	1229	Rod, (With Wire Lead)	ea. .10
			1402	Carbon Tilt Bob	ea. .75
				5/8" #4 Round Head Wood Screws	doz. .10
				10-24x1/2" Thumb Screw	ea. .10
				TIME CLOCK (#4410)	ea. \$2.50
			1020	Brass Spacer, (#131)	ea. .05
				4410 Time Clock	ea. 2.50
				1 1/2" #4 Round Head Wood Screws	doz. .10

* Indicates Item Sold as One Assembly

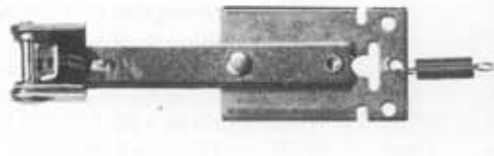
Important: ALWAYS MENTION NAME OF GAME, UNIT, PART NUMBER, AND DESCRIPTION



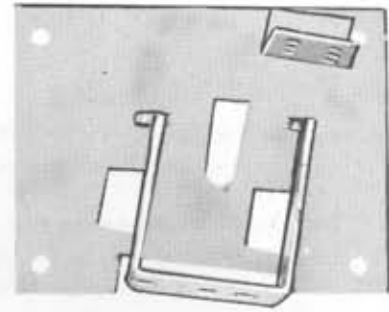
1171A



1-2A



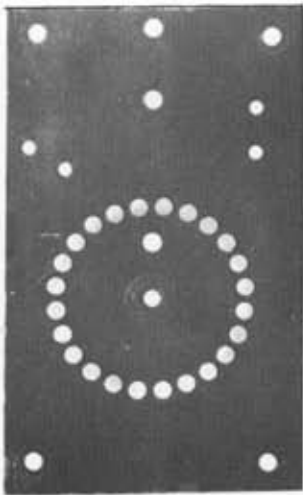
1172A-1



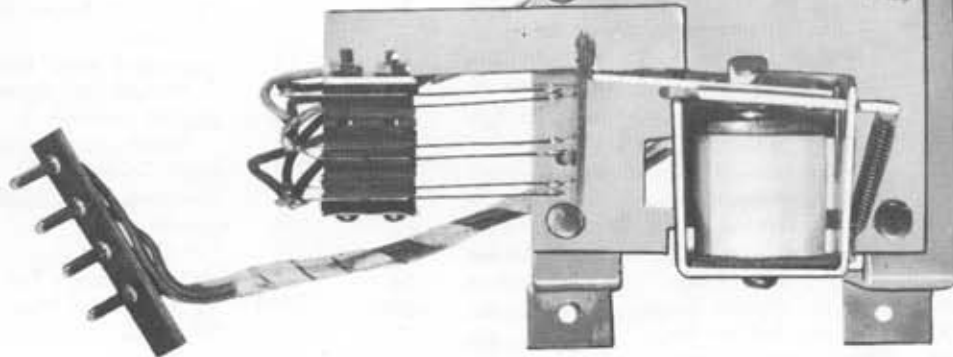
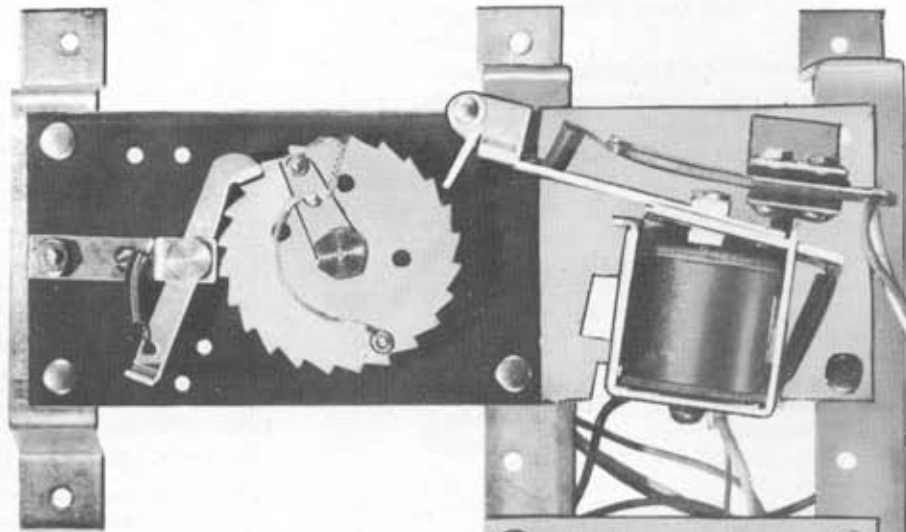
1417A



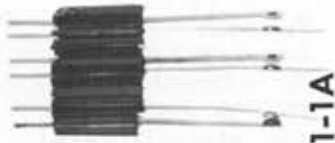
1132A



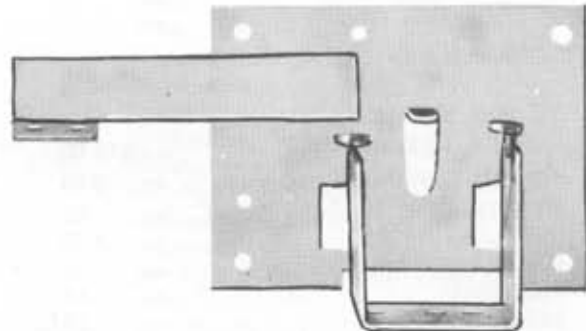
1161A



1172A-2



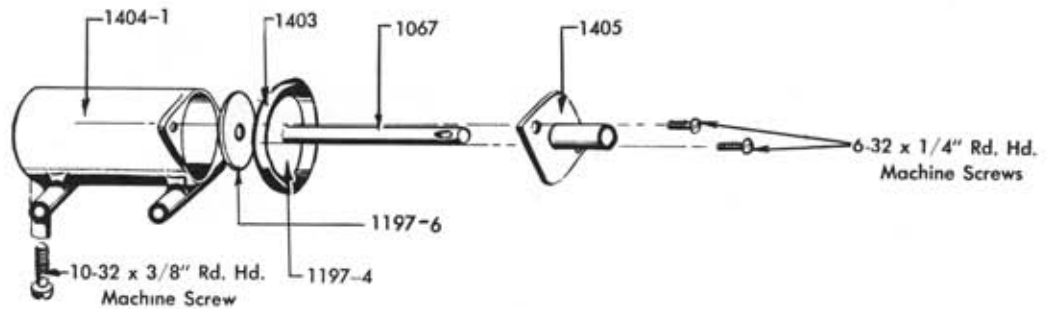
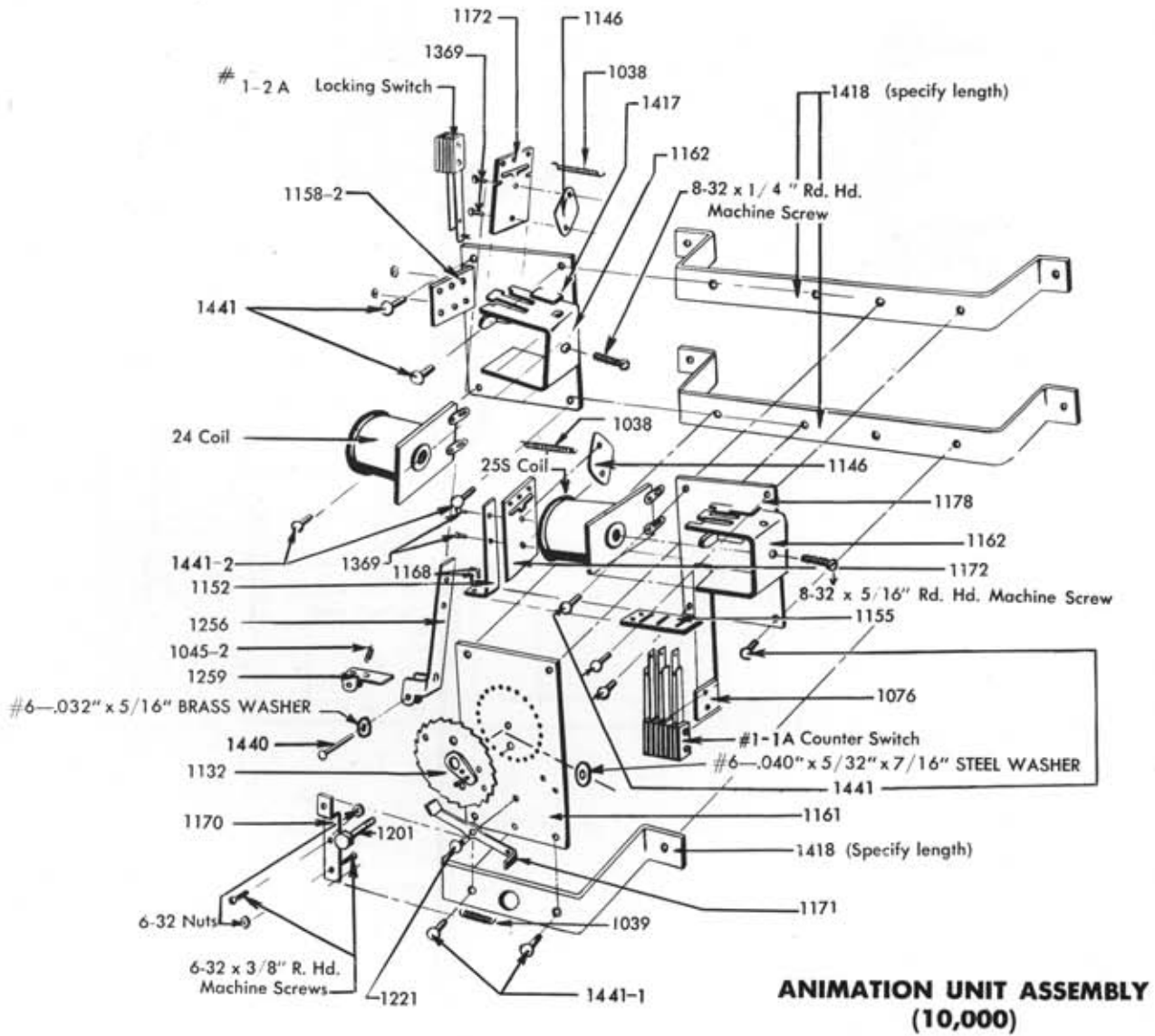
1-1A



1178A

ANIMATION UNIT ASSEMBLY (10,000)

Important: ALWAYS MENTION NAME OF GAME, UNIT, PART NUMBER, AND DESCRIPTION

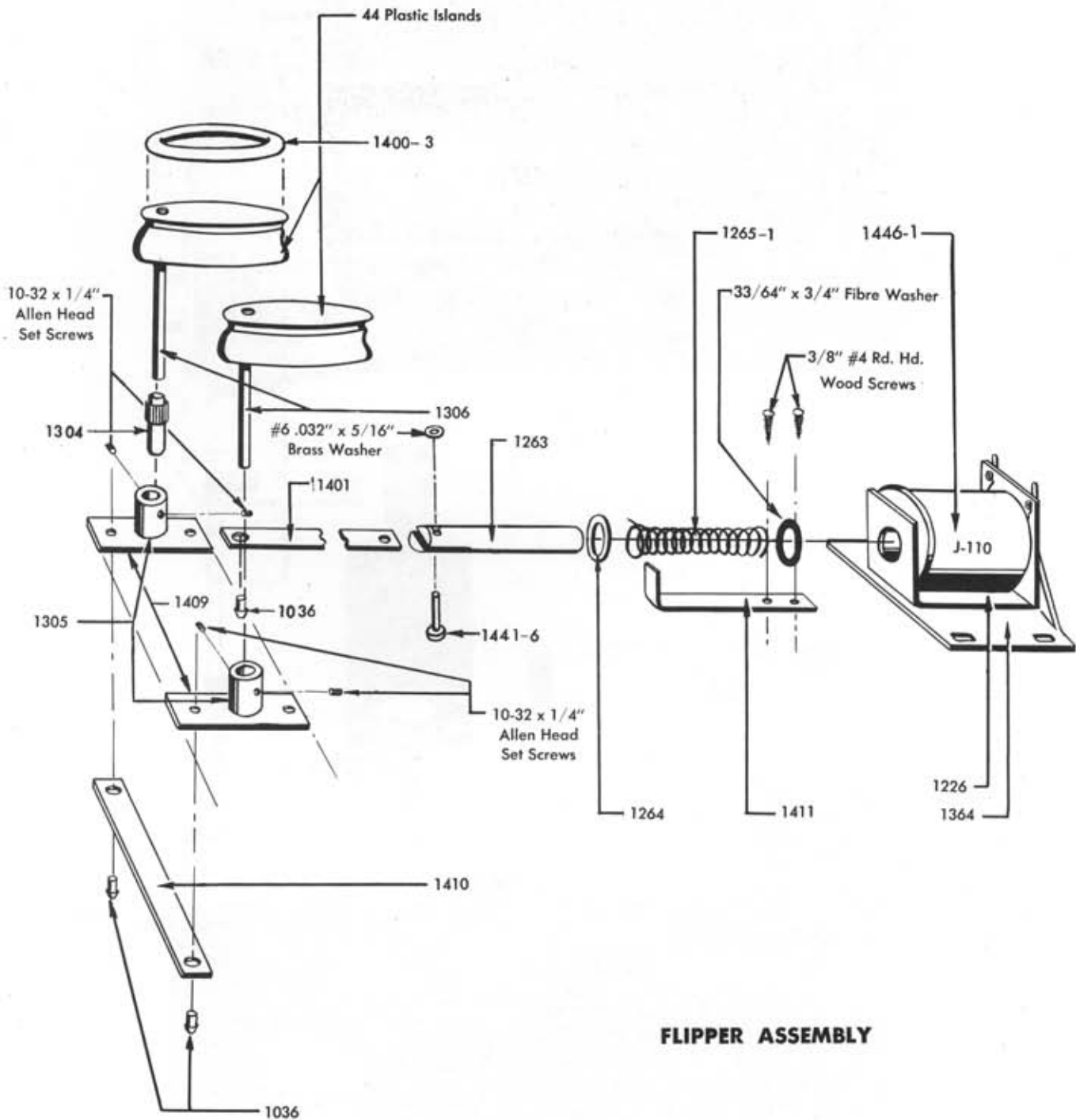


Important: ALWAYS MENTION NAME OF GAME, UNIT, PART NUMBER, AND DESCRIPTION



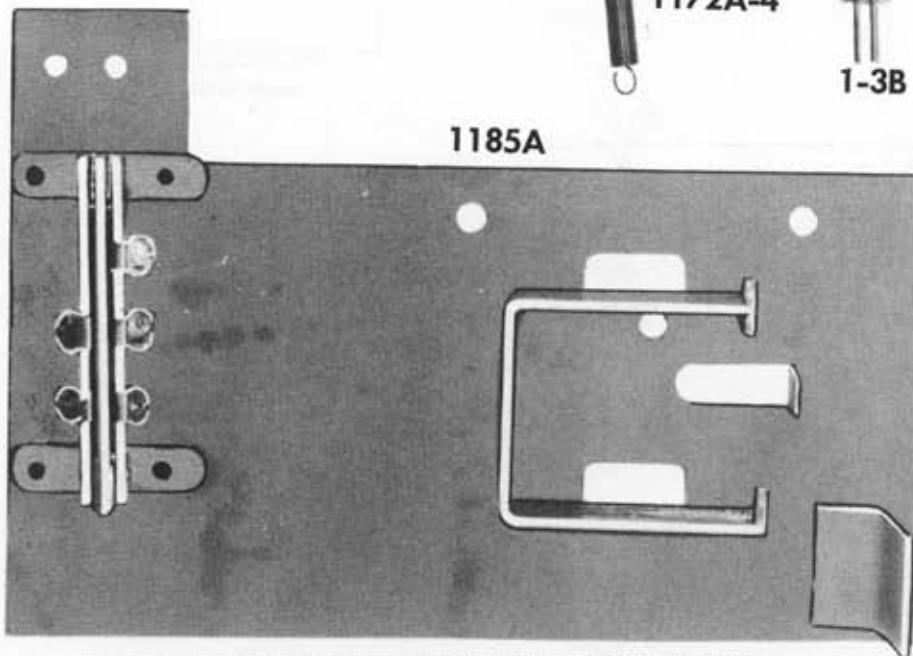
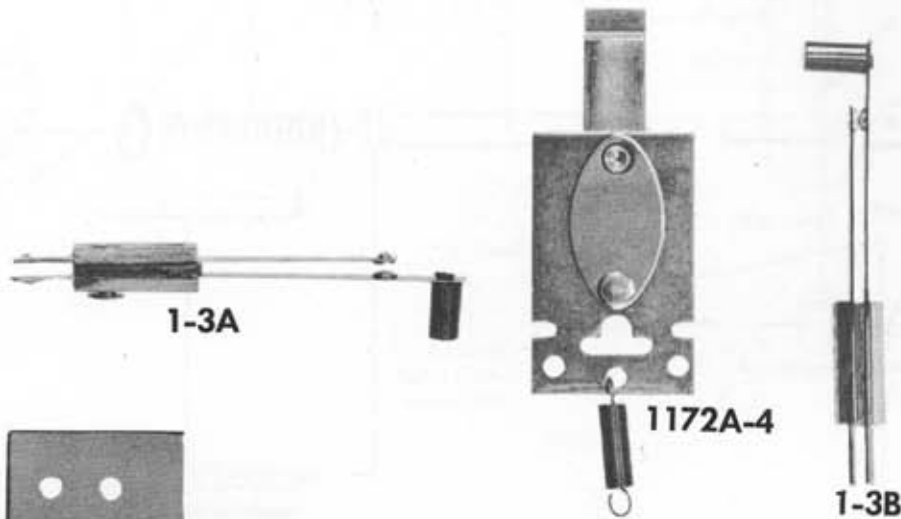
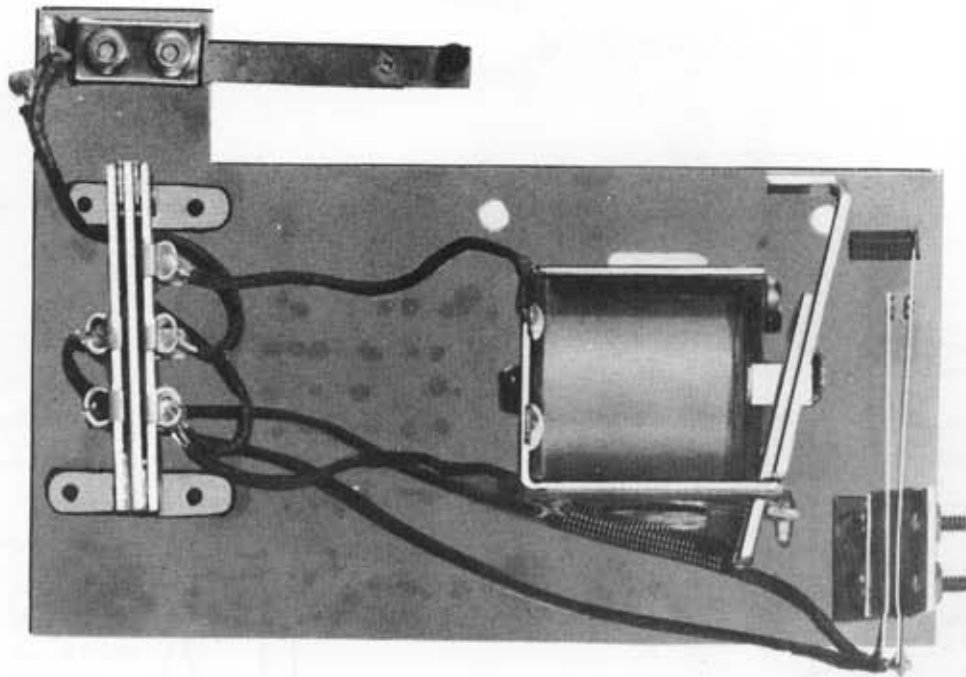
FLIPPER ASSEMBLY

Important: ALWAYS MENTION NAME OF GAME, UNIT, PART NUMBER, AND DESCRIPTION



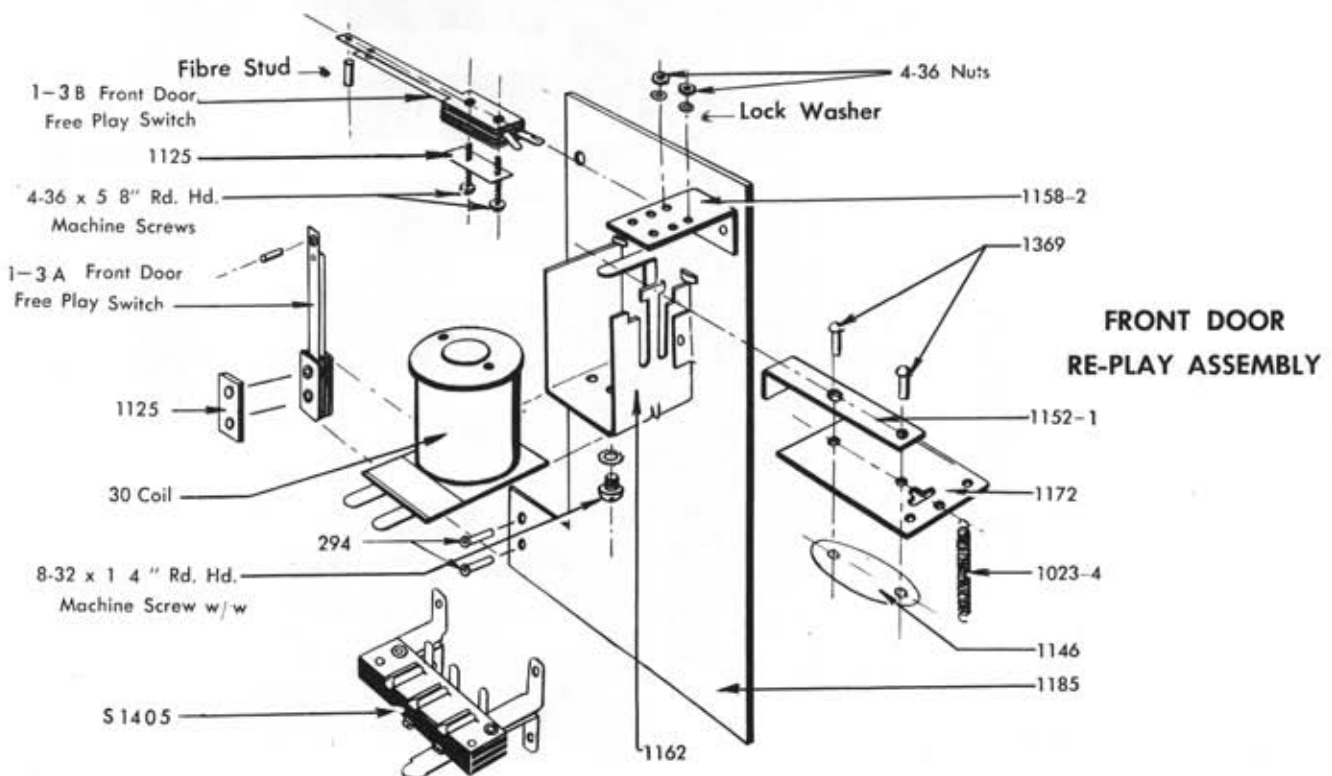
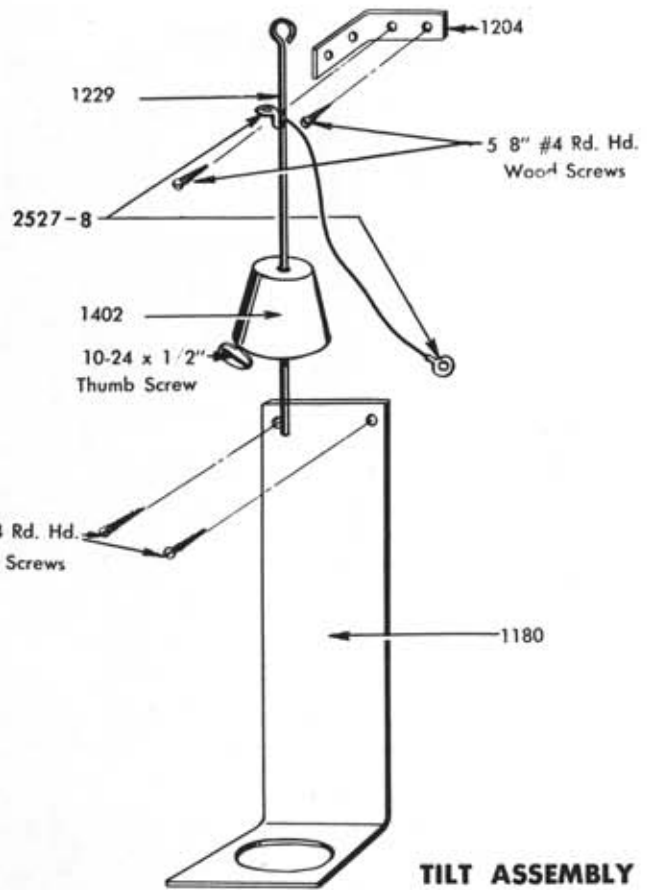
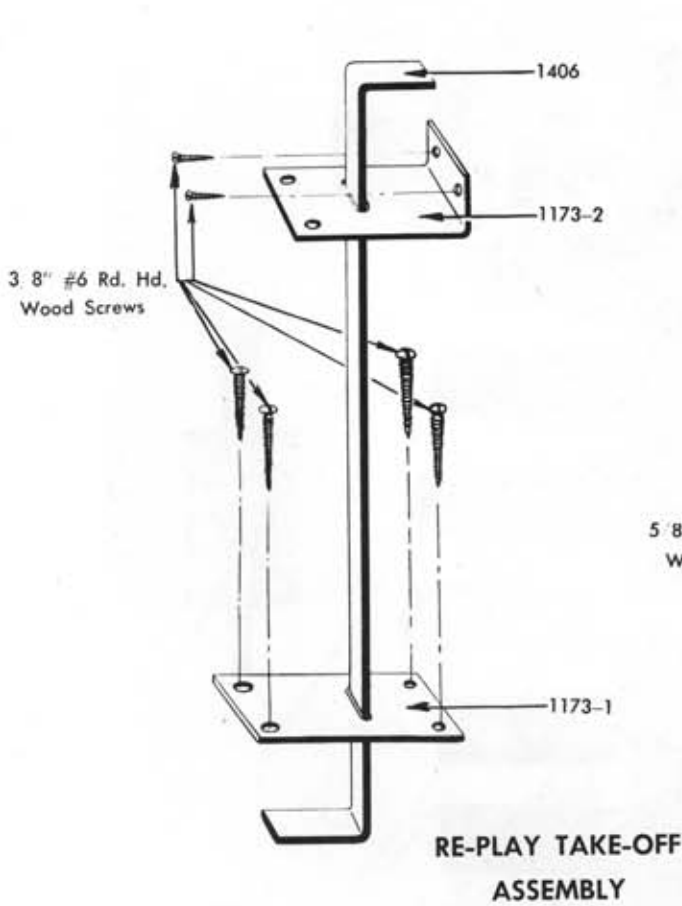
FLIPPER ASSEMBLY

Important: ALWAYS MENTION NAME OF GAME, UNIT, PART NUMBER, AND DESCRIPTION

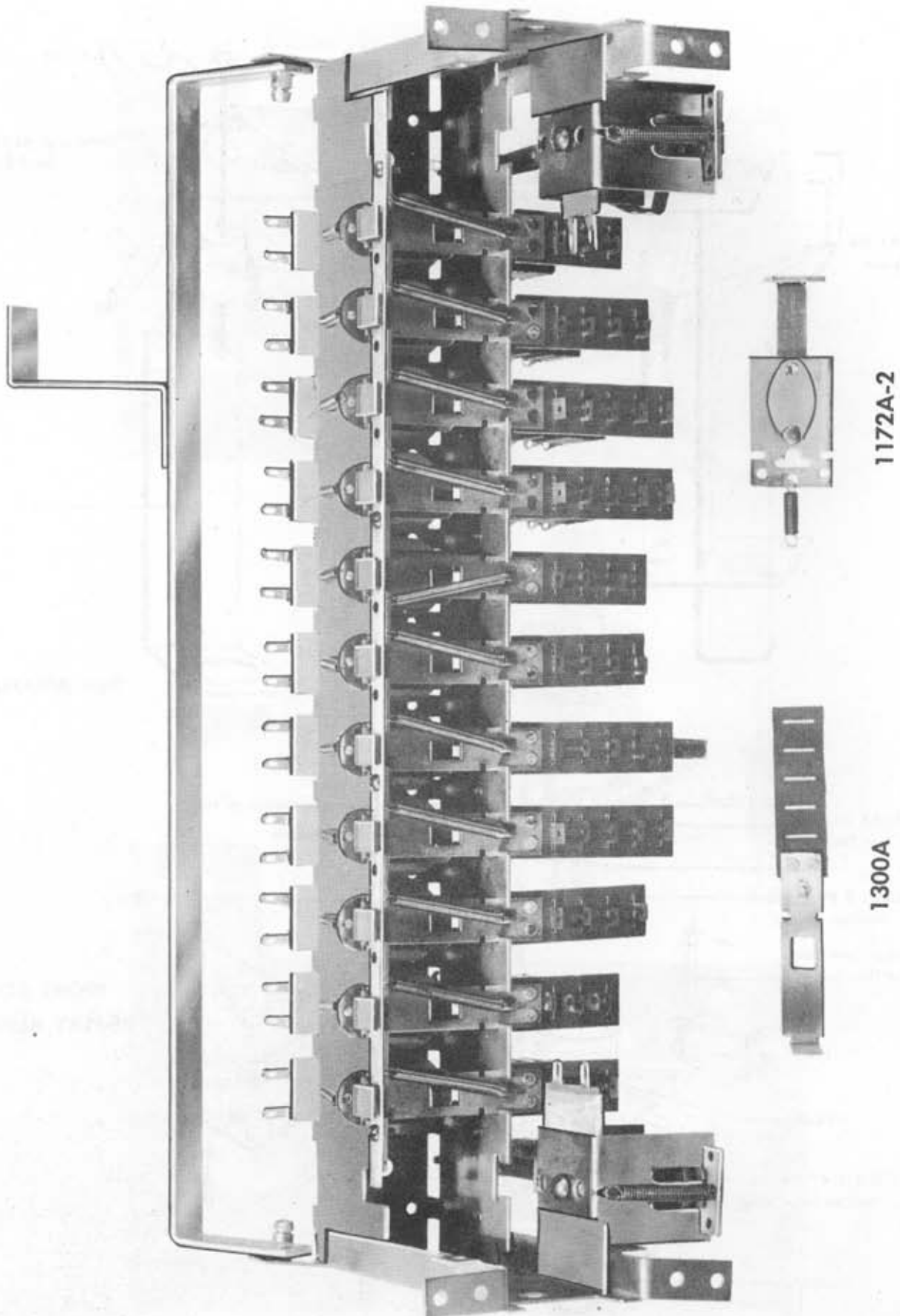


FRONT DOOR RE-PLAY ASSEMBLY

Important: ALWAYS MENTION NAME OF GAME, UNIT, PART NUMBER, AND DESCRIPTION



Important: ALWAYS MENTION NAME OF GAME, UNIT, PART NUMBER, AND DESCRIPTION

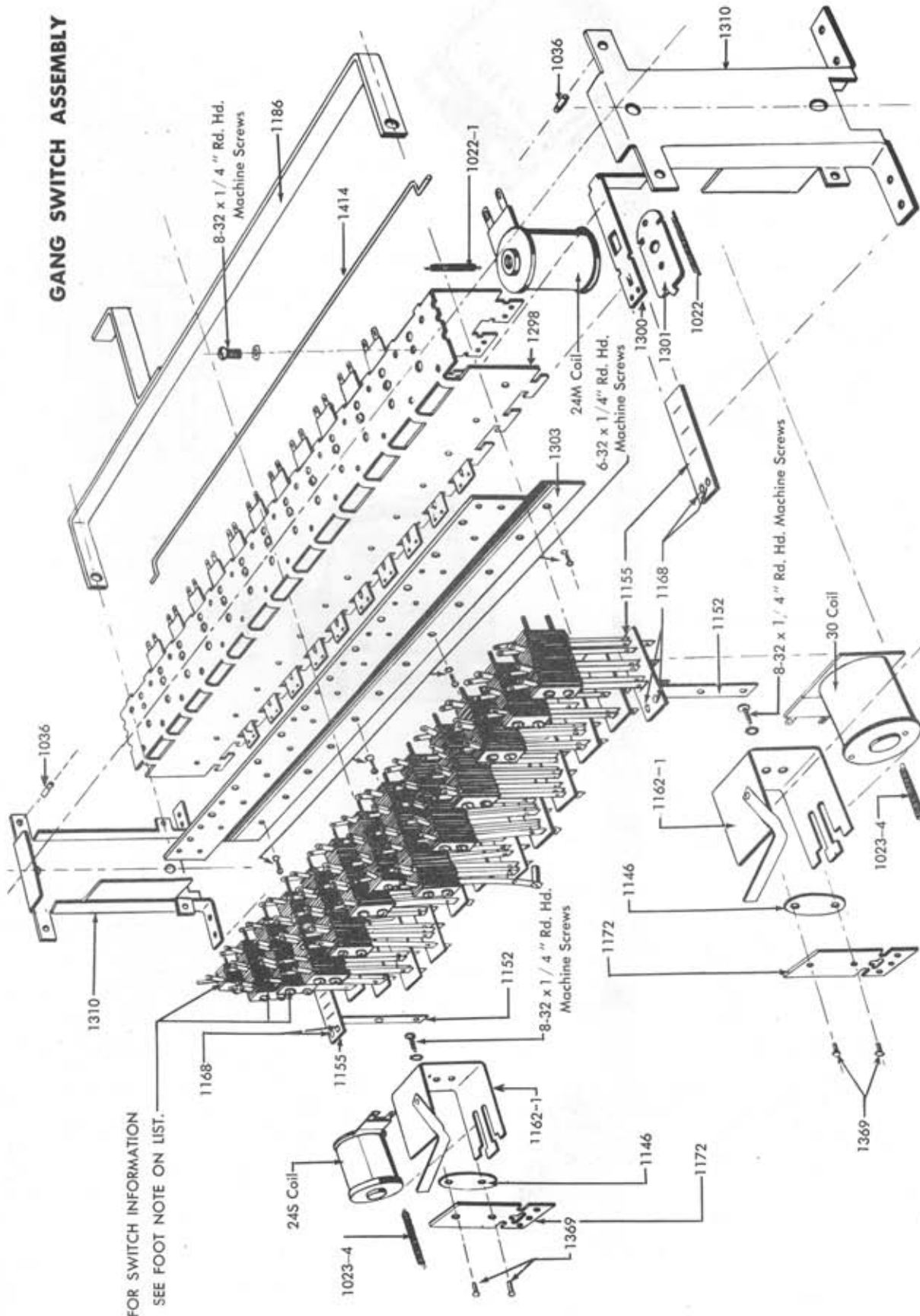


GANG SWITCH ASSEMBLY

Important: ALWAYS MENTION NAME OF GAME, UNIT, PART NUMBER, AND DESCRIPTION

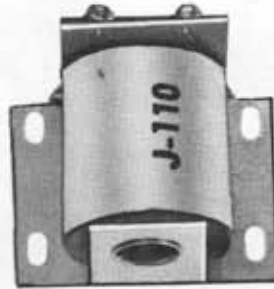
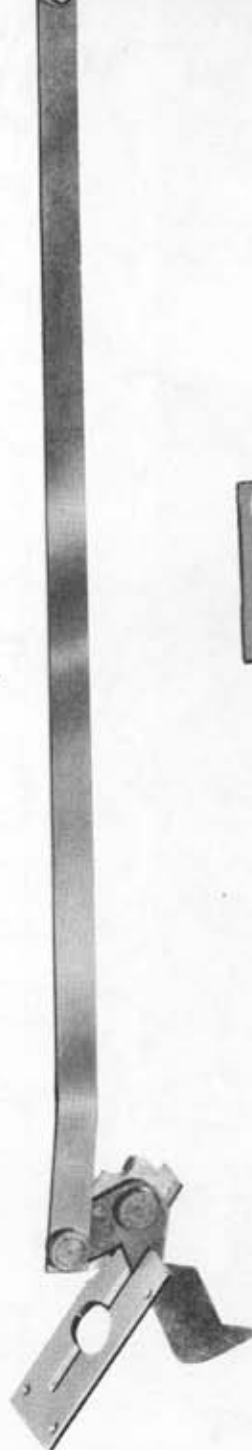
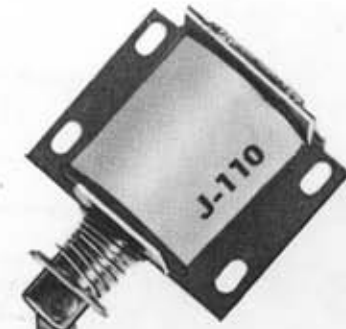


GANG SWITCH ASSEMBLY



FOR SWITCH INFORMATION SEE FOOT NOTE ON LIST.

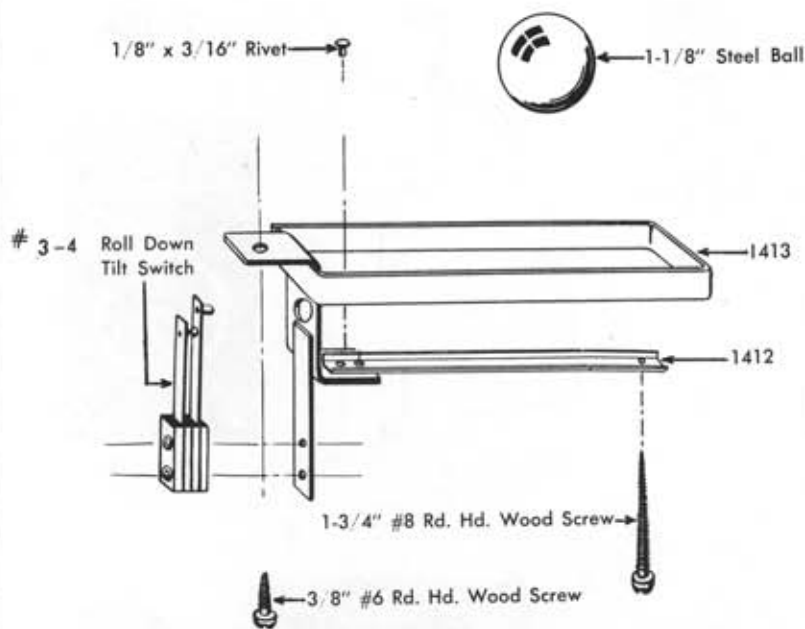
Important: ALWAYS MENTION NAME OF GAME, UNIT, PART NUMBER, AND DESCRIPTION



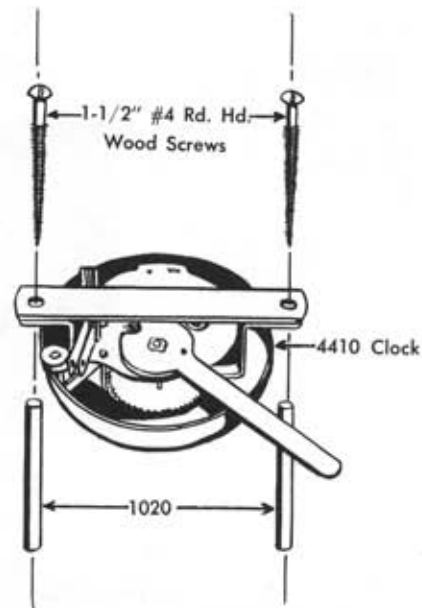
1446A

KICKER ASSEMBLY

Important: ALWAYS MENTION NAME OF GAME, UNIT, PART NUMBER, AND DESCRIPTION

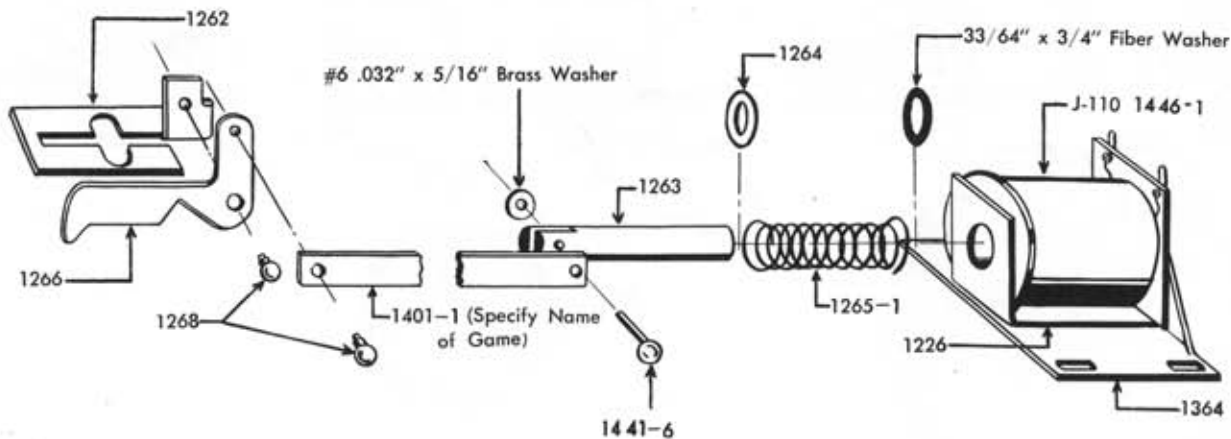


ADJUSTABLE ROLL DOWN TILT ASSEMBLY

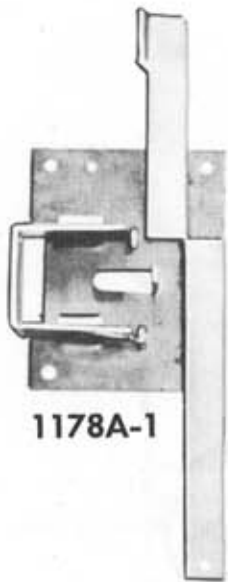


4410 TIME CLOCK ASSEMBLY

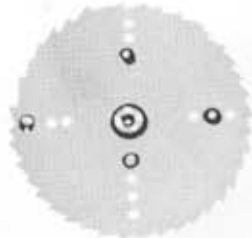
KICKER ASSEMBLY



Important: ALWAYS MENTION NAME OF GAME, UNIT, PART NUMBER, AND DESCRIPTION



1178A-1



1294A



1172A-1



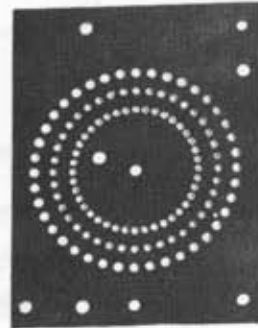
1172A-2



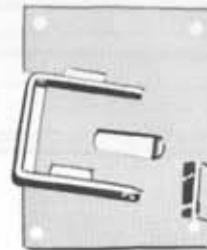
1132A



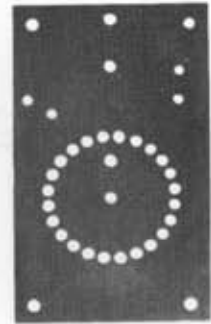
1171A



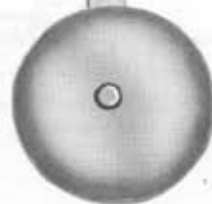
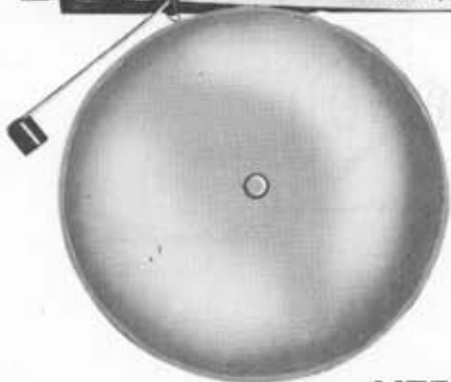
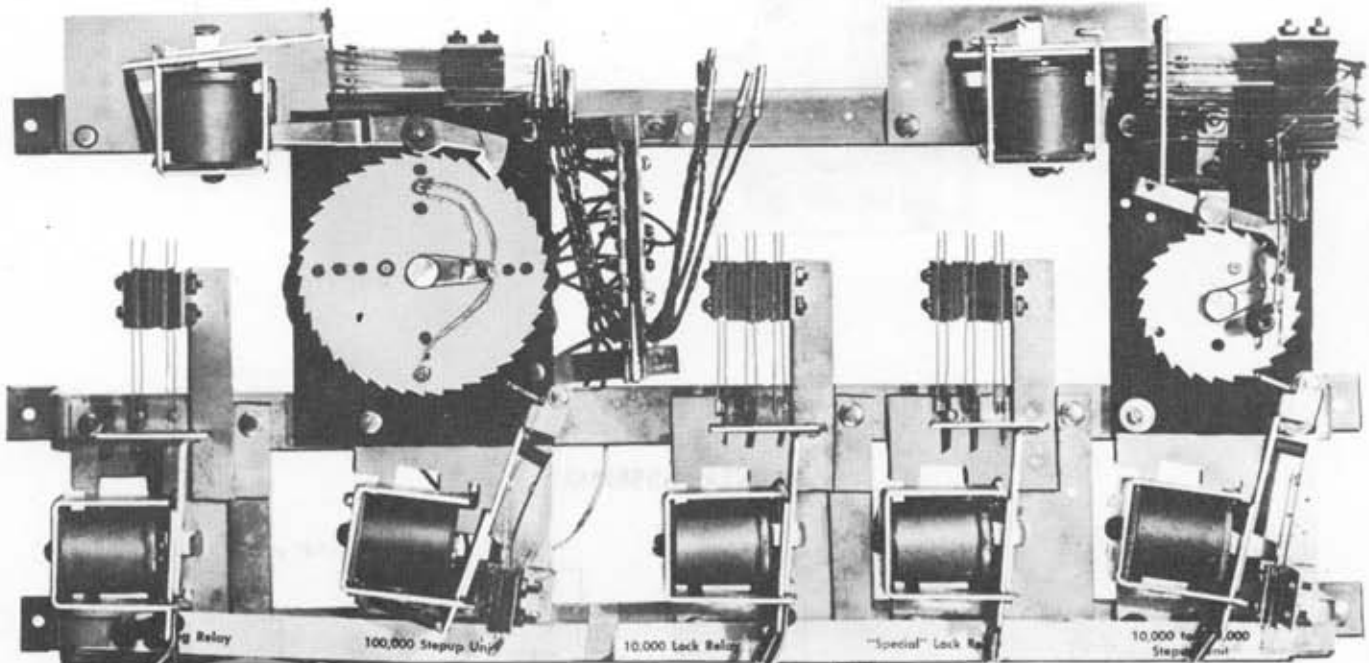
1278A



1417A



1161A

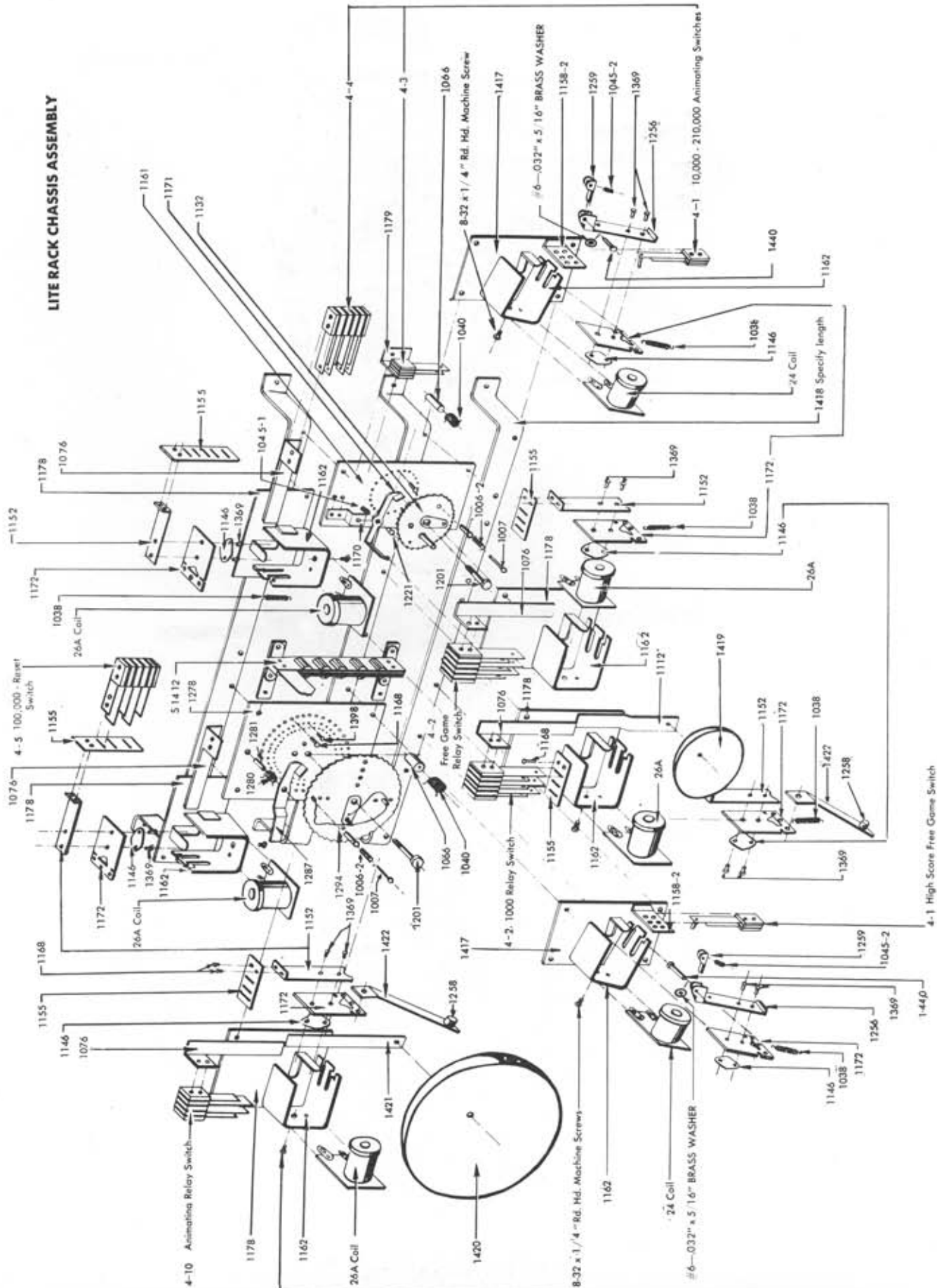


LITE RACK CHASSIS ASSEMBLY

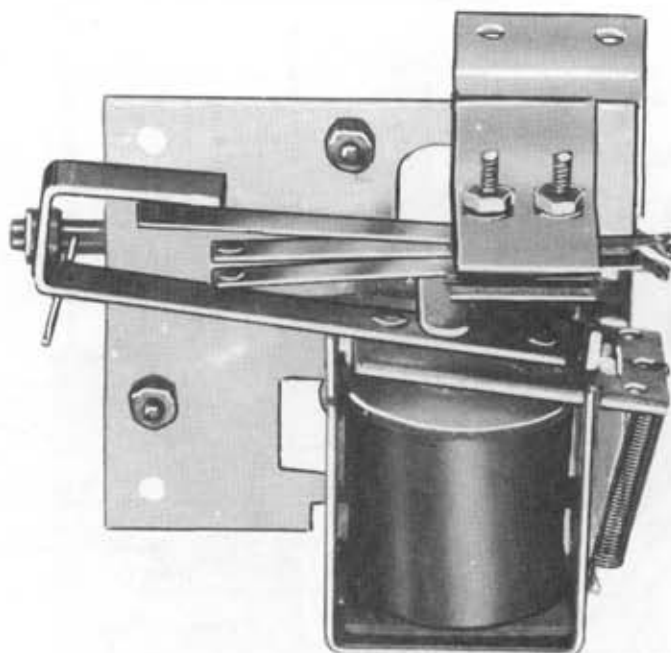
Important: ALWAYS MENTION NAME OF GAME, UNIT, PART NUMBER, AND DESCRIPTION



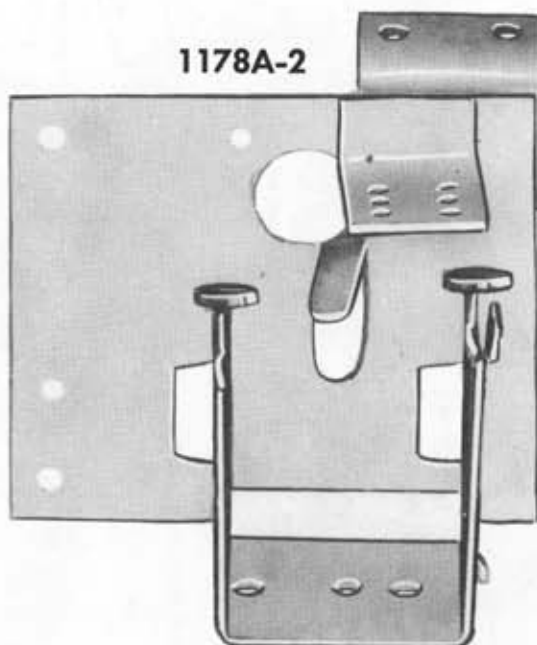
LITE RACK CHASSIS ASSEMBLY



Important: ALWAYS MENTION NAME OF GAME, UNIT, PART NUMBER, AND DESCRIPTION



1172A-4



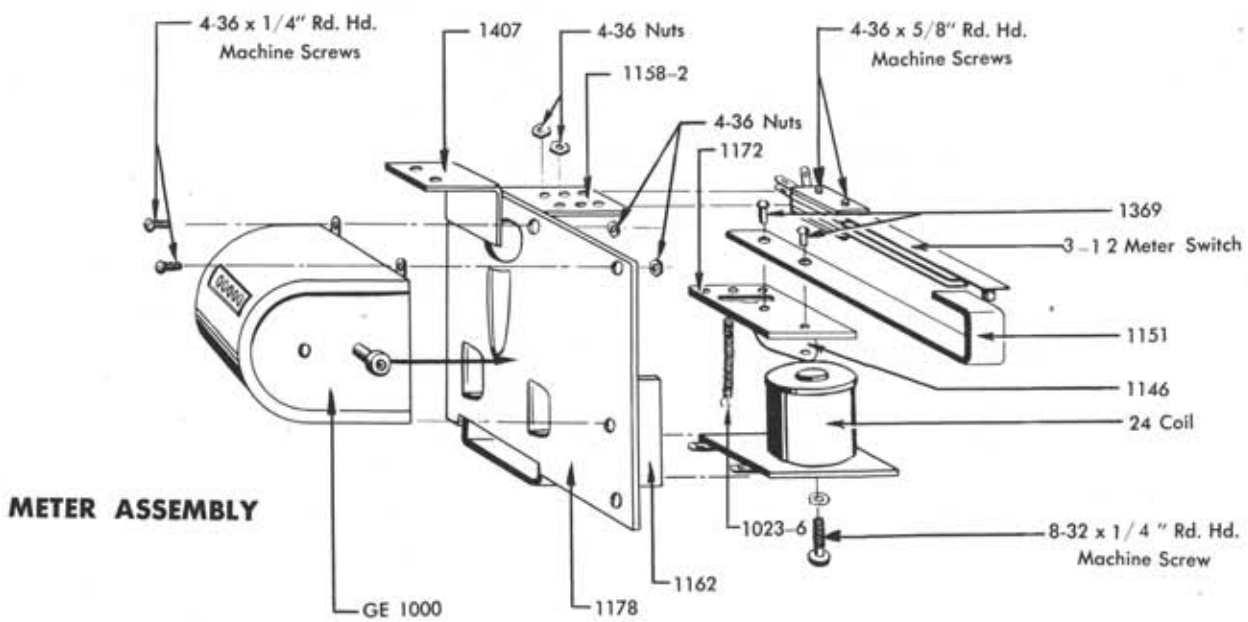
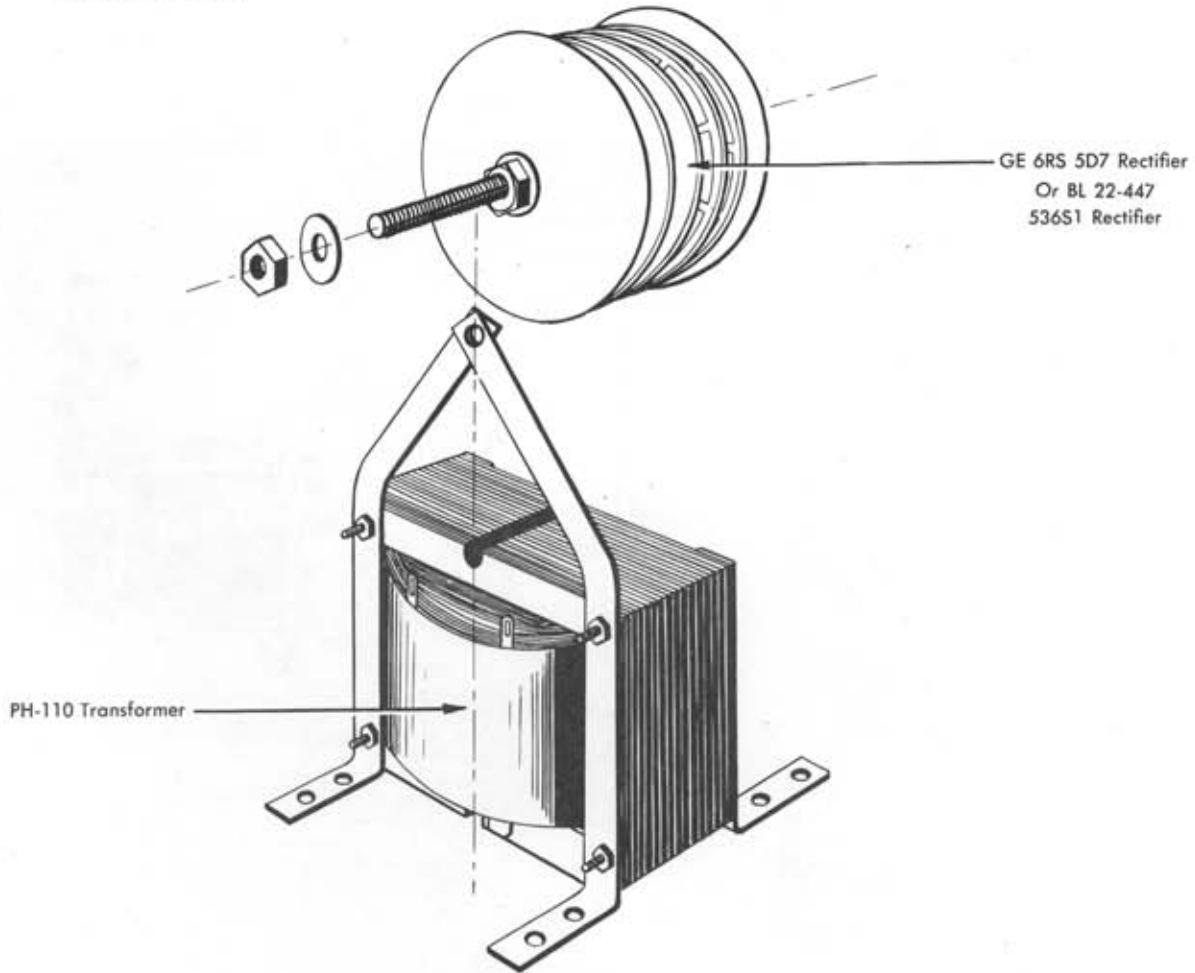
1178A-2

METER ASSEMBLY

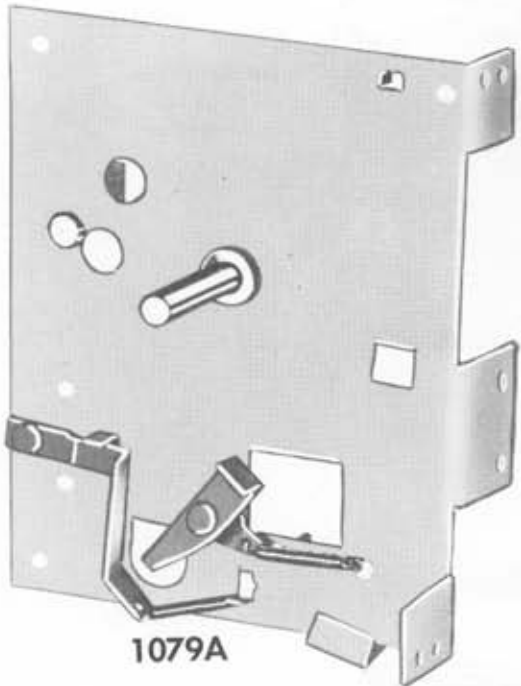
Important: ALWAYS MENTION NAME OF GAME, UNIT, PART NUMBER, AND DESCRIPTION



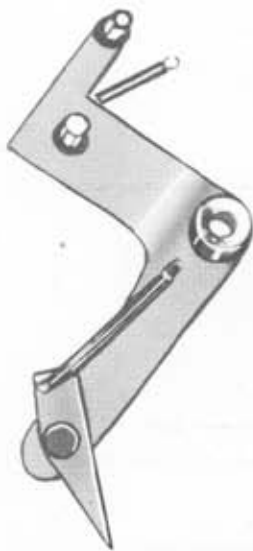
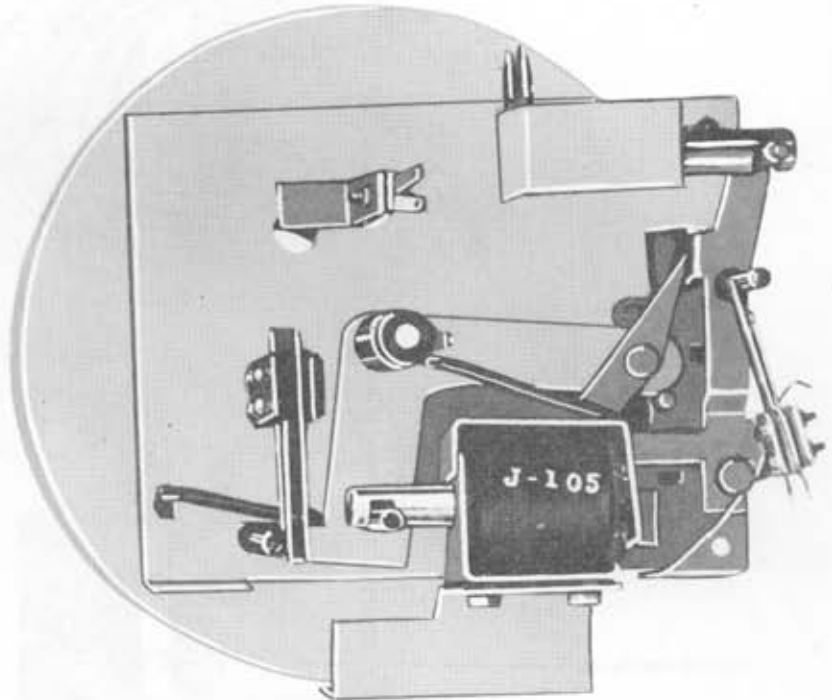
POWER PAK



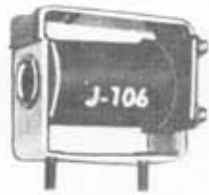
Important: ALWAYS MENTION NAME OF GAME, UNIT, PART NUMBER, AND DESCRIPTION



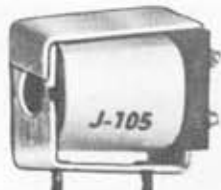
1079A



1273A



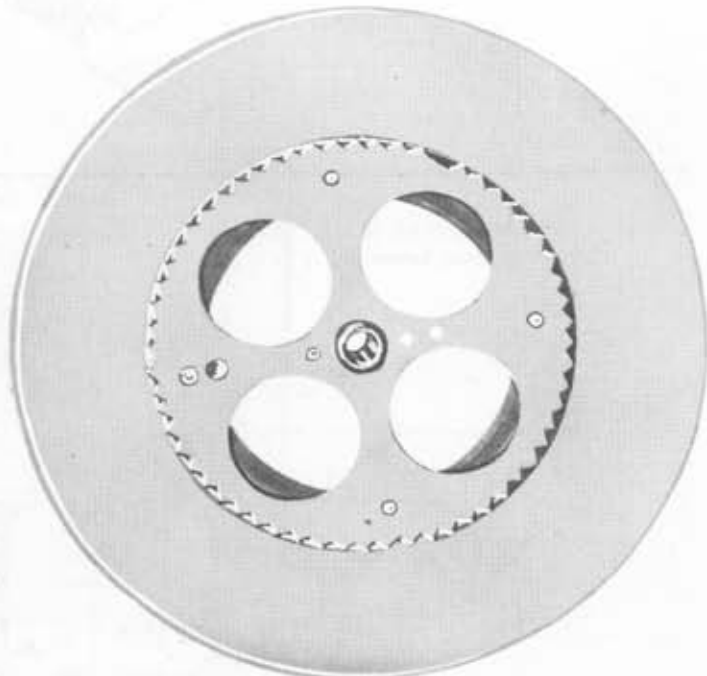
1445A



1444A



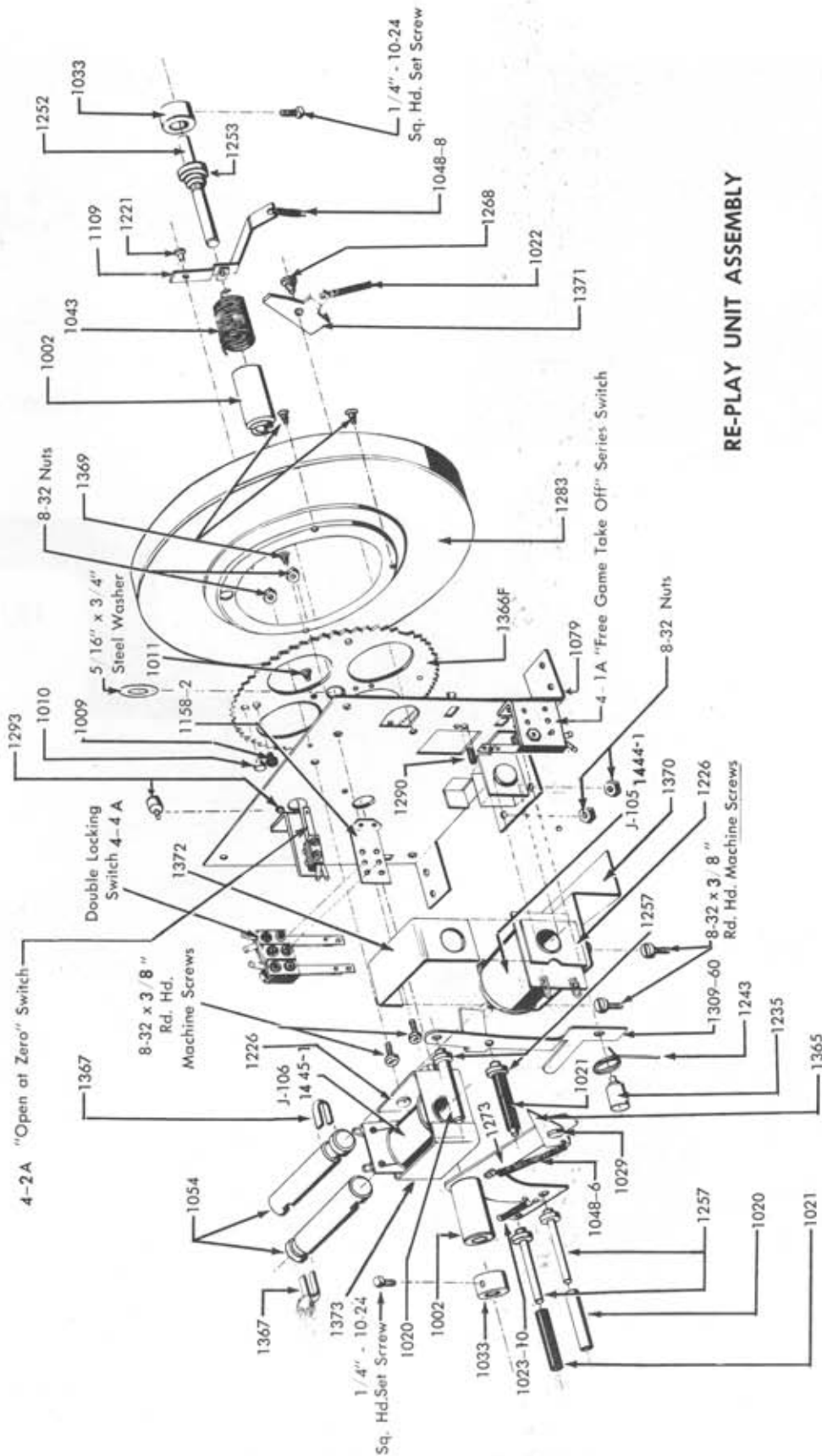
1309-60A



1366FA

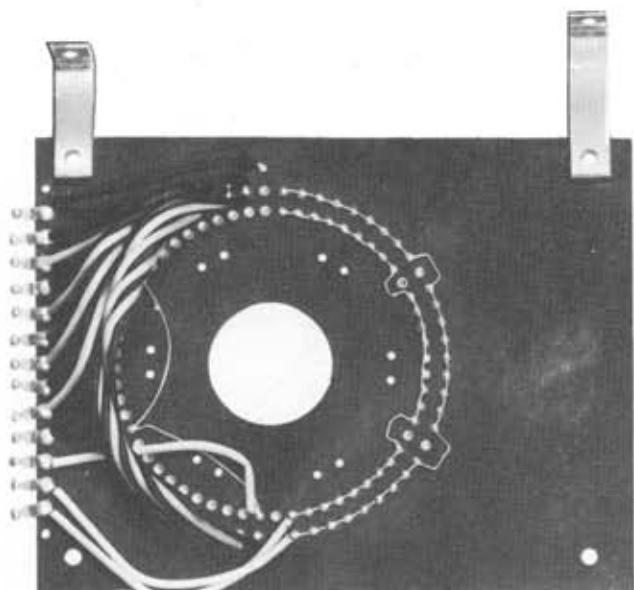
RE-PLAY UNIT ASSEMBLY

Important: ALWAYS MENTION NAME OF GAME, UNIT, PART NUMBER, AND DESCRIPTION

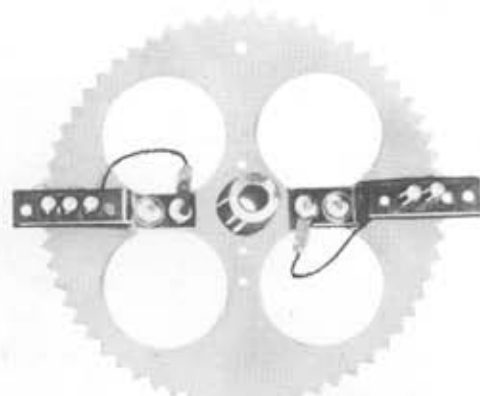


RE-PLAY UNIT ASSEMBLY

Important: ALWAYS MENTION NAME OF GAME, UNIT, PART NUMBER, AND DESCRIPTION



1394A



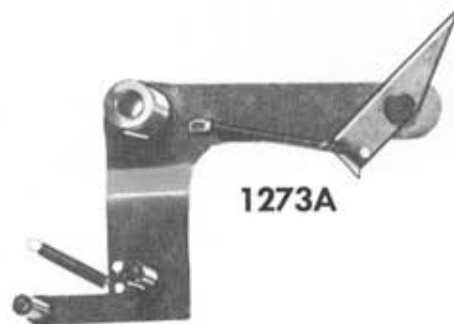
1366T-A



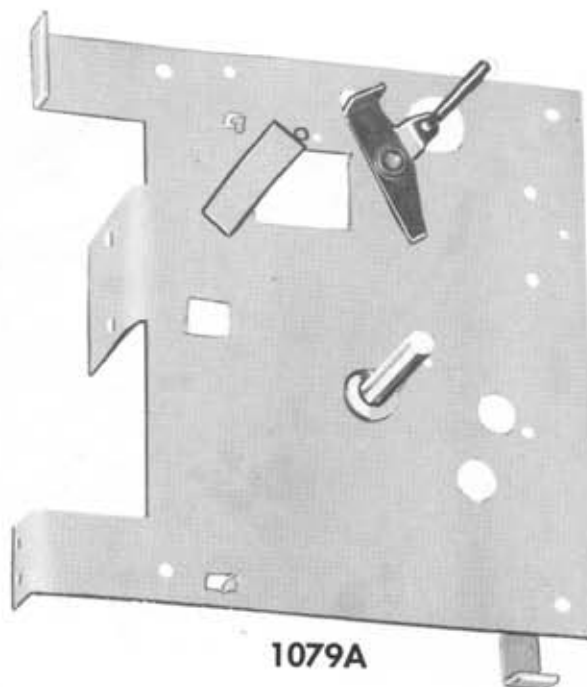
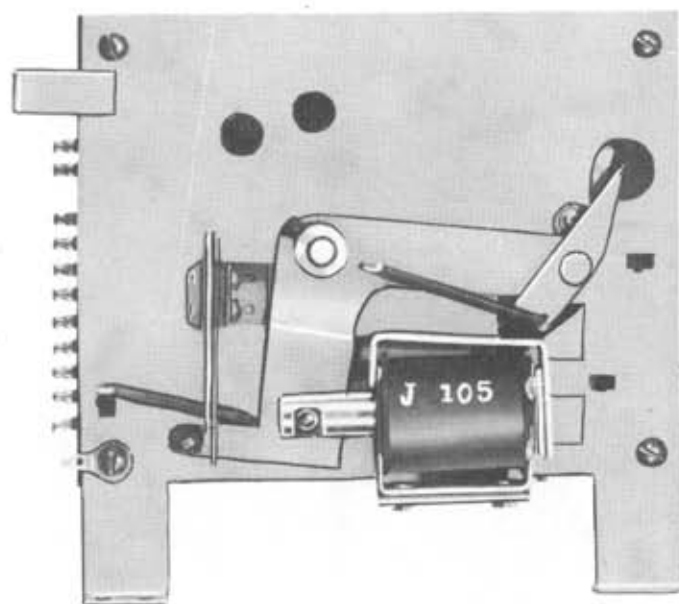
4-3A



1444A



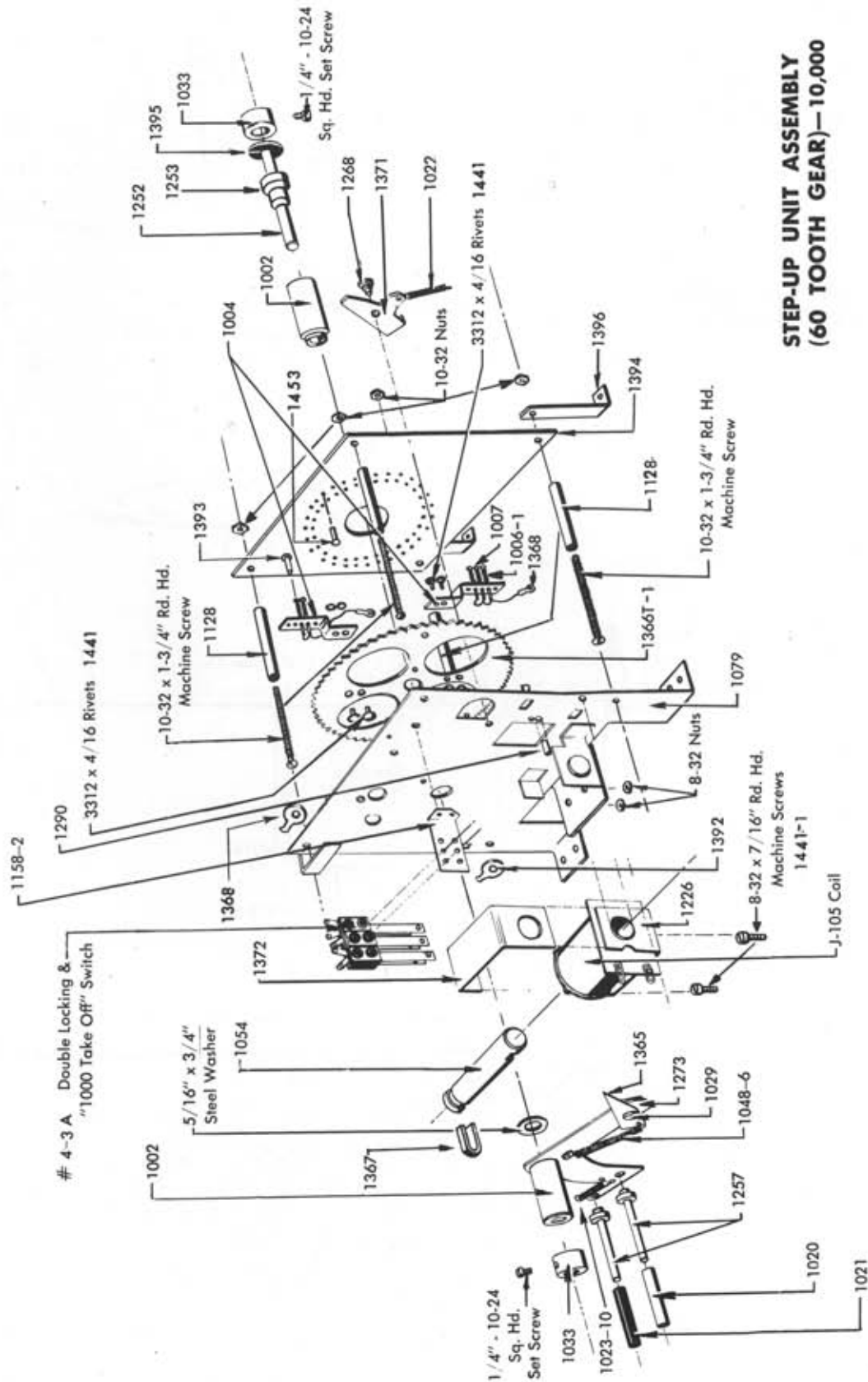
1273A



1079A

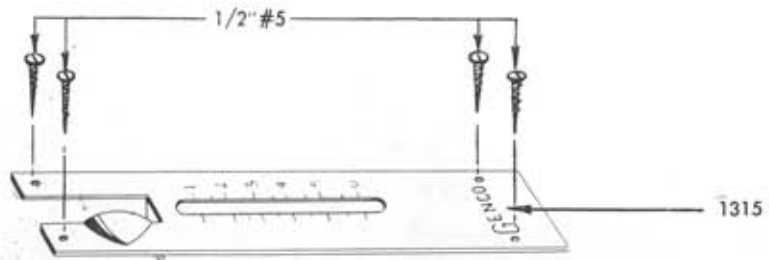
10,000 STEP UP UNIT ASSEMBLY

Important: ALWAYS MENTION NAME OF GAME, UNIT, PART NUMBER, AND DESCRIPTION

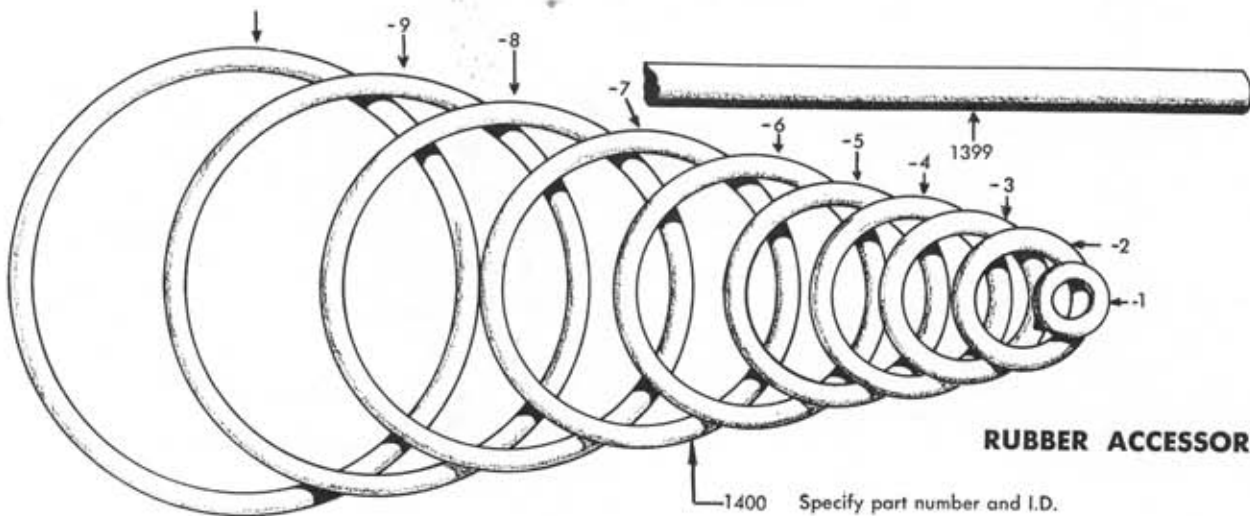
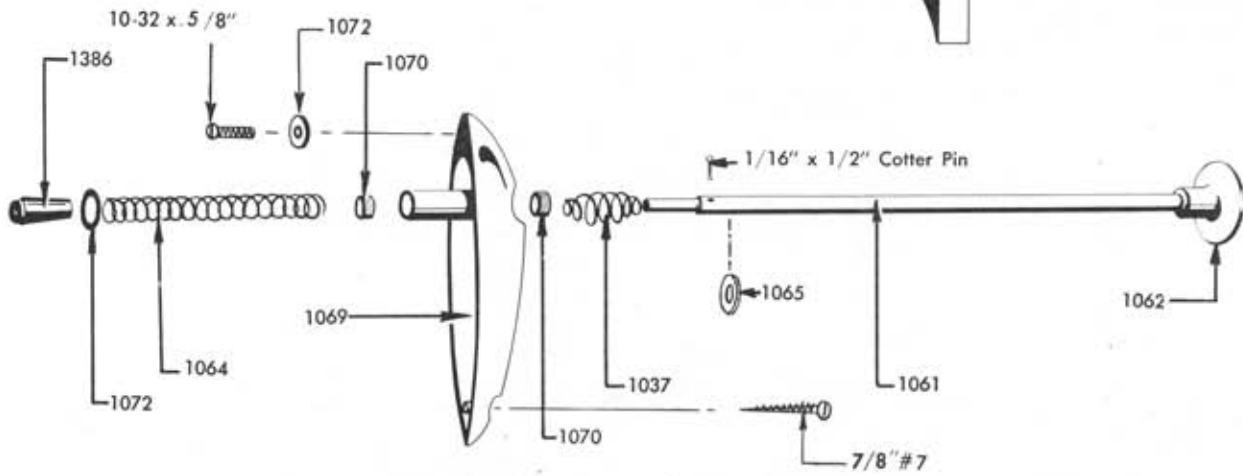


STEP-UP UNIT ASSEMBLY
(60 TOOTH GEAR)—10,000

Important: ALWAYS MENTION NAME OF GAME, UNIT, PART NUMBER, AND DESCRIPTION



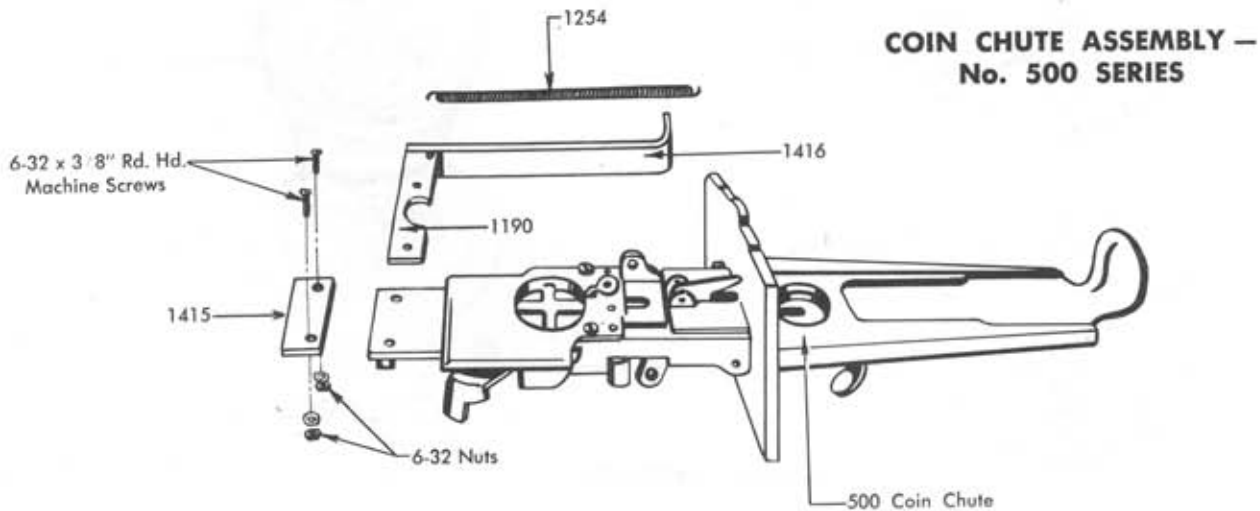
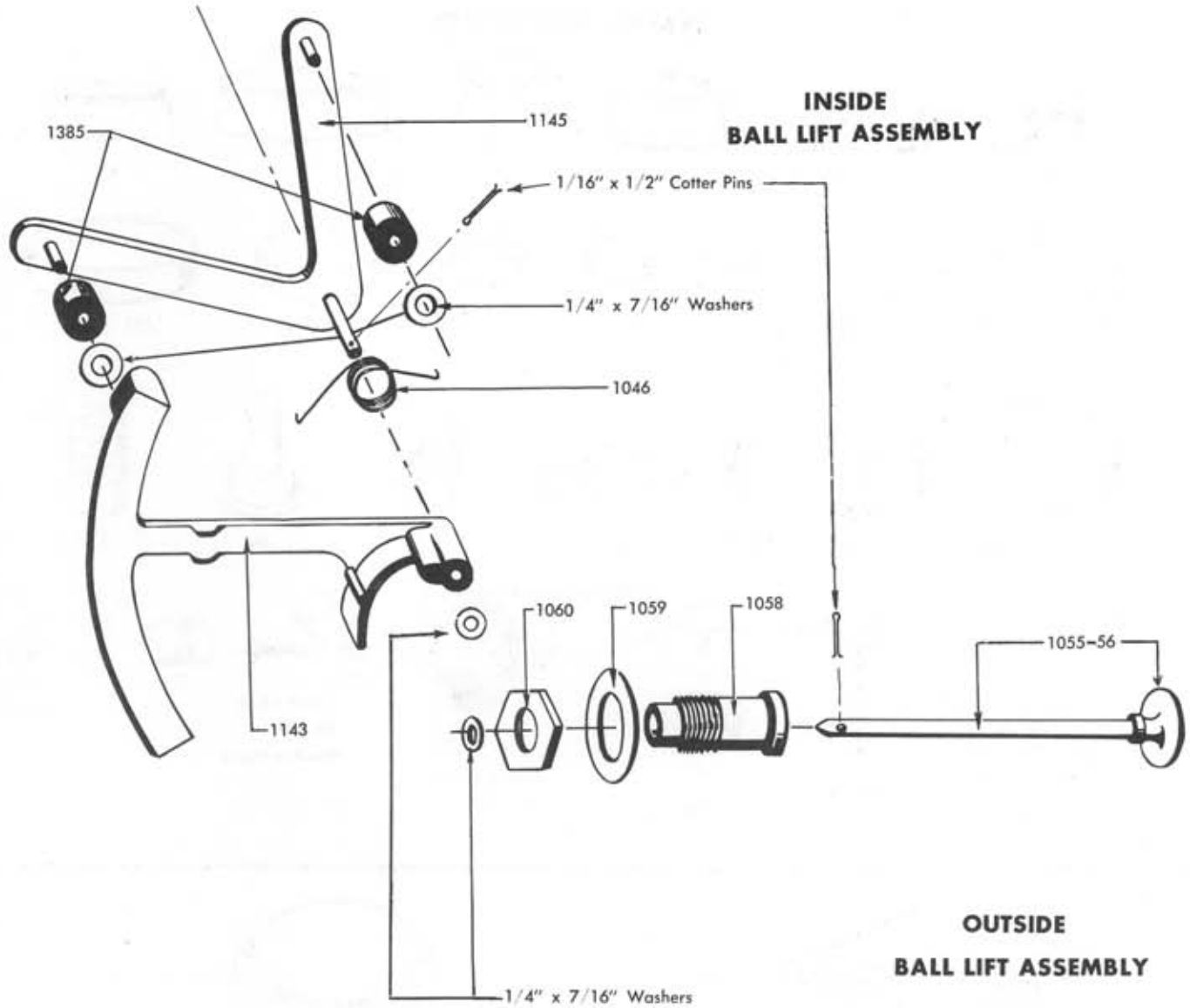
PLUNGER AND BALL GUIDE PLATE & GAUGE ASSEMBLY



RUBBER ACCESSORIES

1400 Specify part number and I.D.

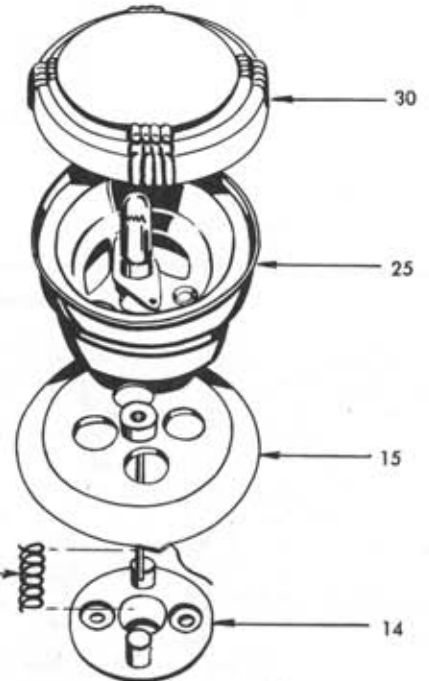
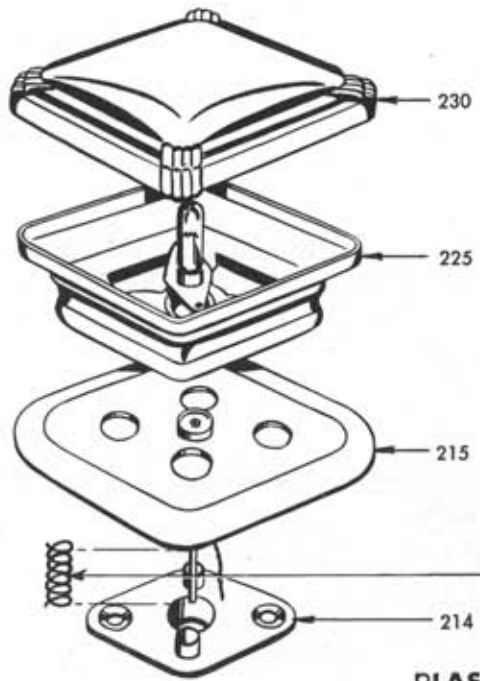
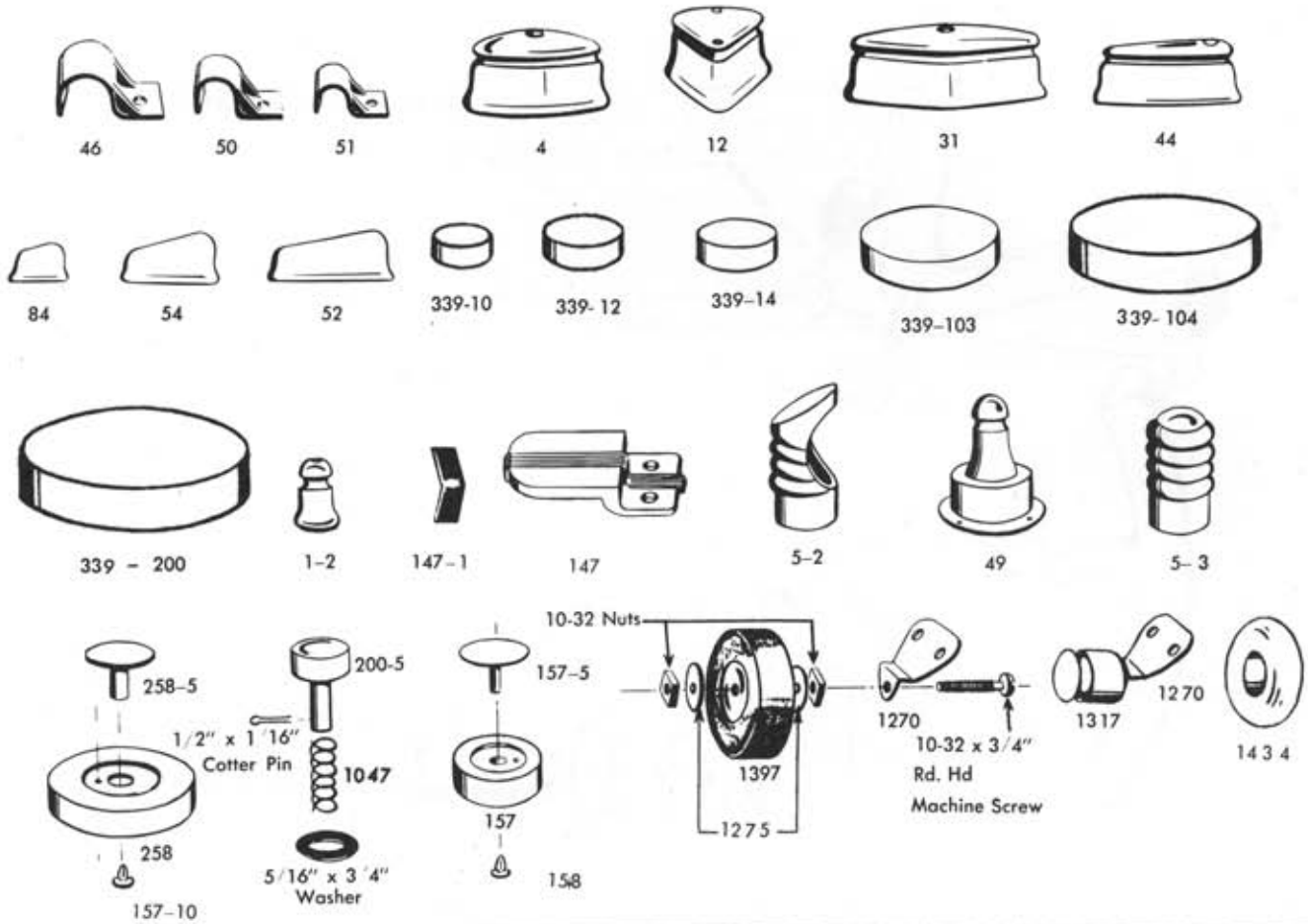
Important: ALWAYS MENTION NAME OF GAME, UNIT, PART NUMBER, AND DESCRIPTION



Important: ALWAYS MENTION NAME OF GAME, UNIT, PART NUMBER, AND DESCRIPTION



PLASTIC ACCESSORIES



PLASTIC BUMPERS

Important: ALWAYS MENTION NAME OF GAME, UNIT, PART NUMBER, AND DESCRIPTION



GENCO MFG. & SALES CO.

2621 N. ASHLAND AVE., CHICAGO 14, ILLINOIS